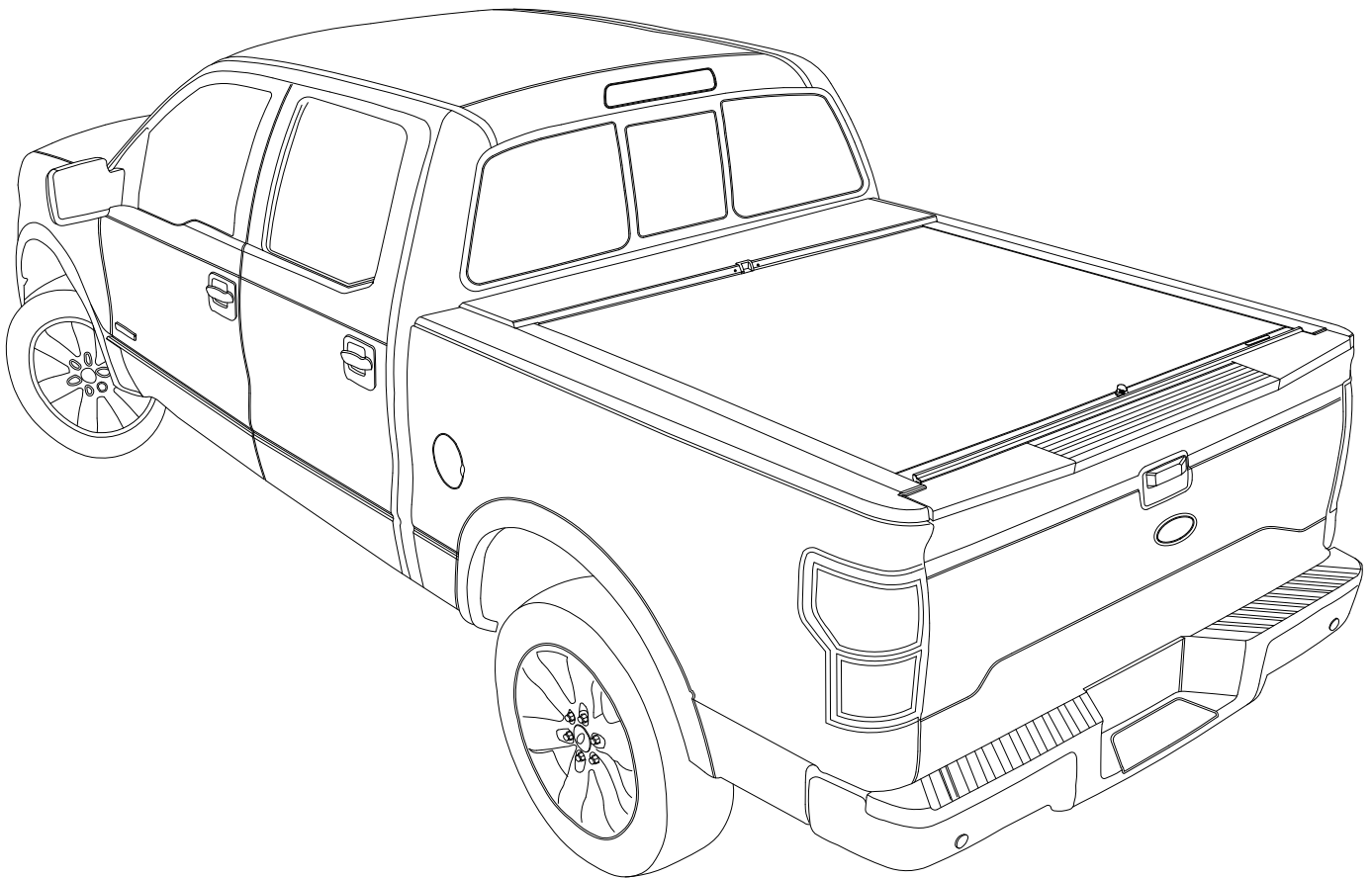




Installation Guide

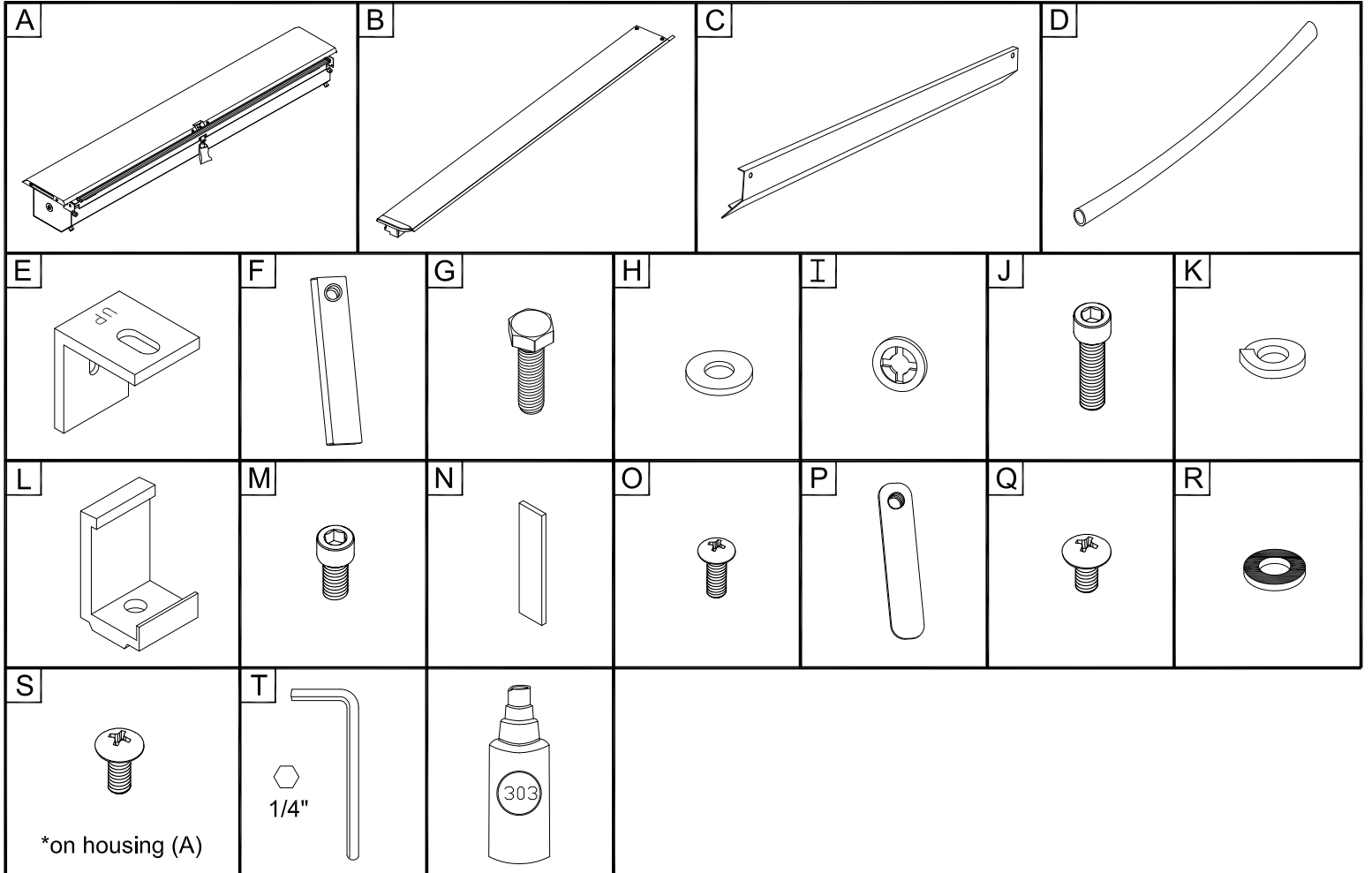
Ford F-150



Product Code
101-102-103

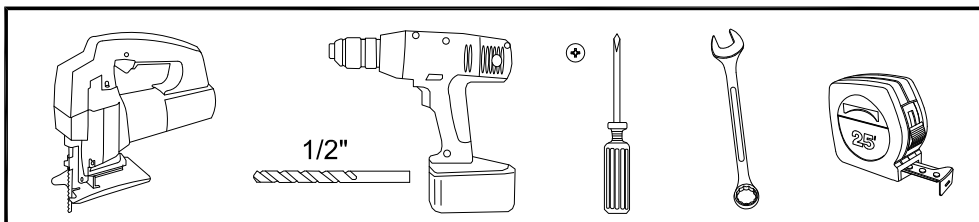
Parts List

Item	Part Name	Qty.	Item	Part Name	Qty.	Item	Part Name	Qty.
A	Housing	1	H	1/4" Flat Washer	2	O	#10-24 Screw	2
B	Track	2	I	Nylon Retaining Washer	2	P	Cargo Nut	2
C	Cargo Shield	1	J	5/16 x 1 1/4" Socket Cap Screw	6/8	Q	1/4-20 x 3/8" Screw	4
D	Drain Tube	2	K	5/16" Lock Washer	6/8	R	Black Rubber Washer	4
E	Track Angle	2	L	Bed Clamp	4/6	S	1/4" Lid Screw	2
F	Tang	2	M	5/16 x 3/4" Socket Cap Screw	2	T	Allen Wrench (1/4")	1
G	1/4-20 Hex Bolt	2	N	Track Angle Shim	2		303 Vinyl Protector	1

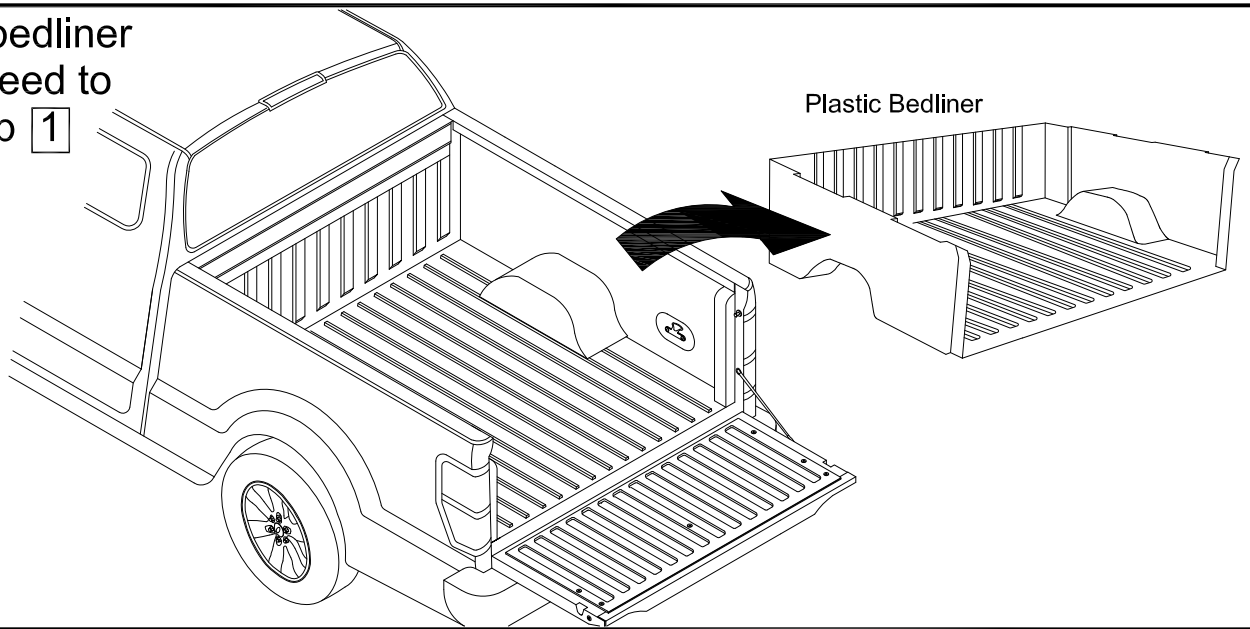


*on housing (A)

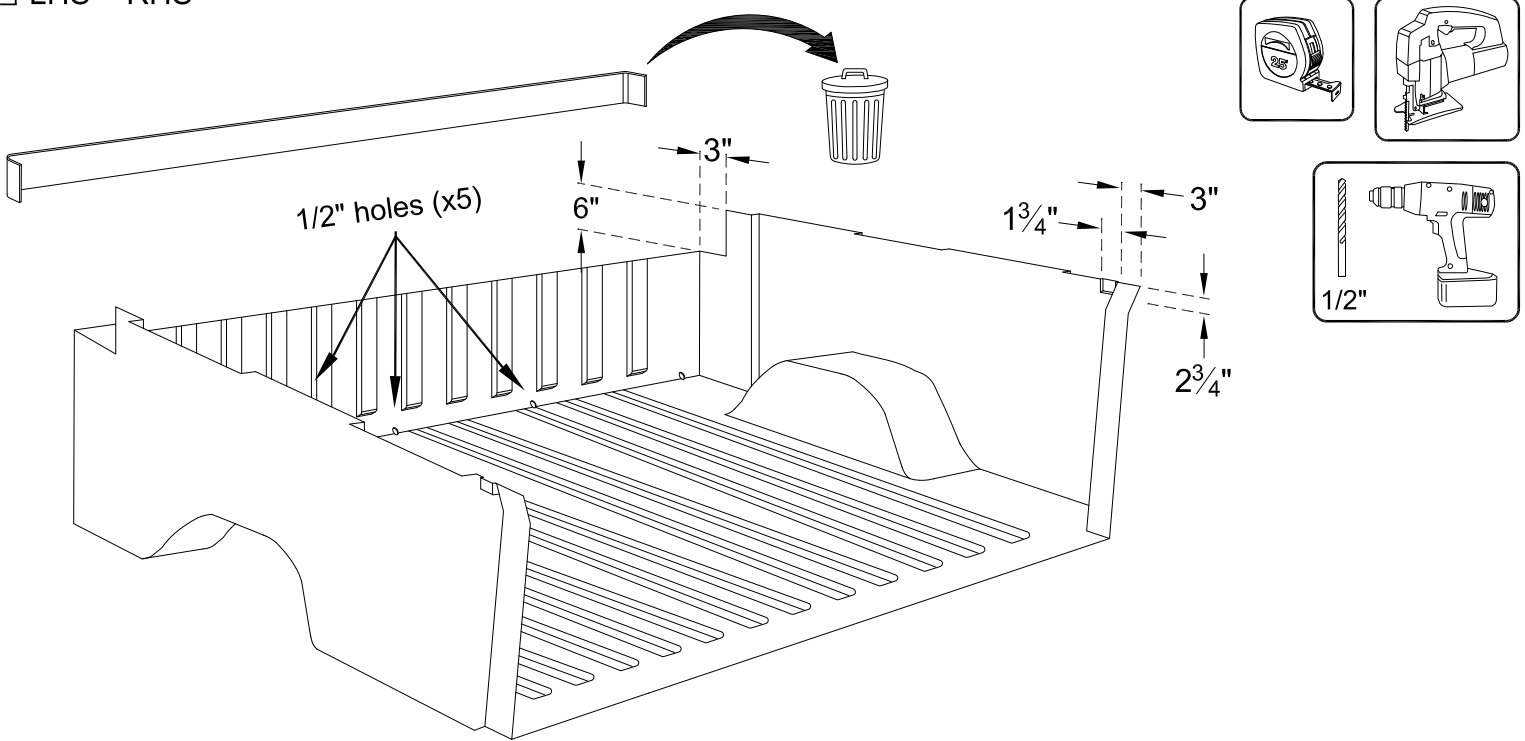
Tools Needed



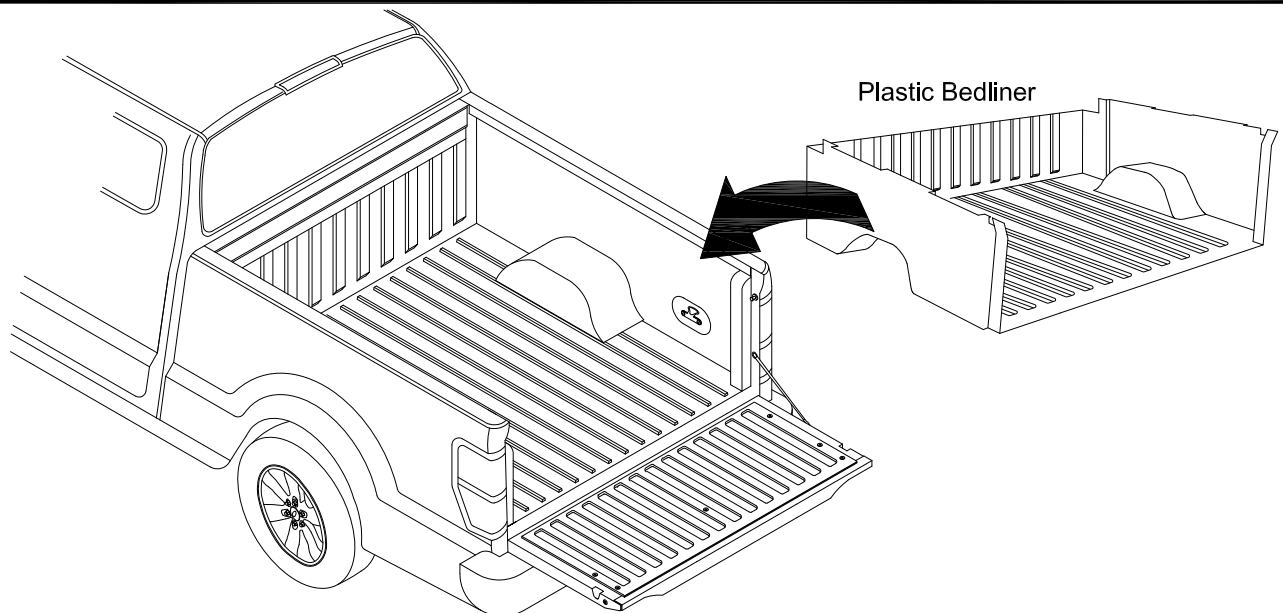
1a If no plastic bedliner present proceed to page 4 - Step 1



1b LHS = RHS

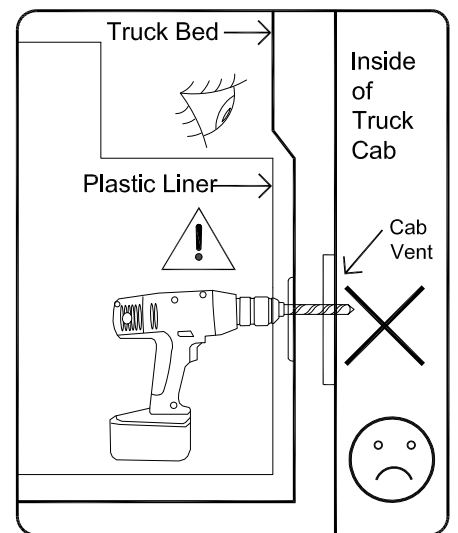
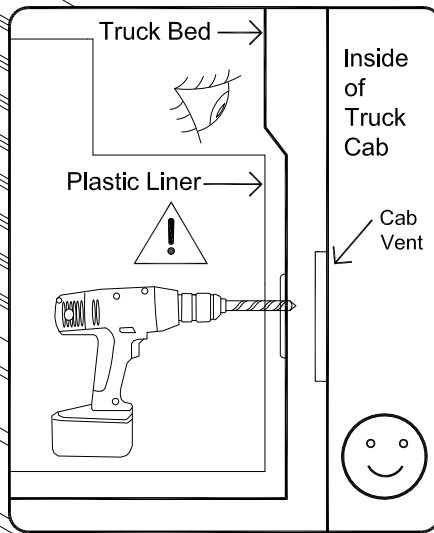
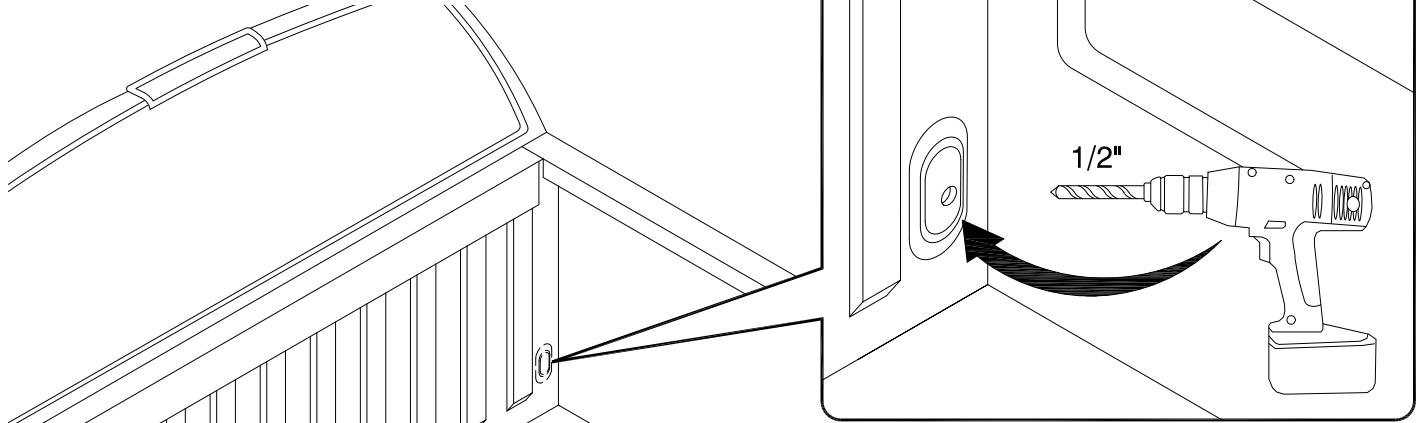


1c

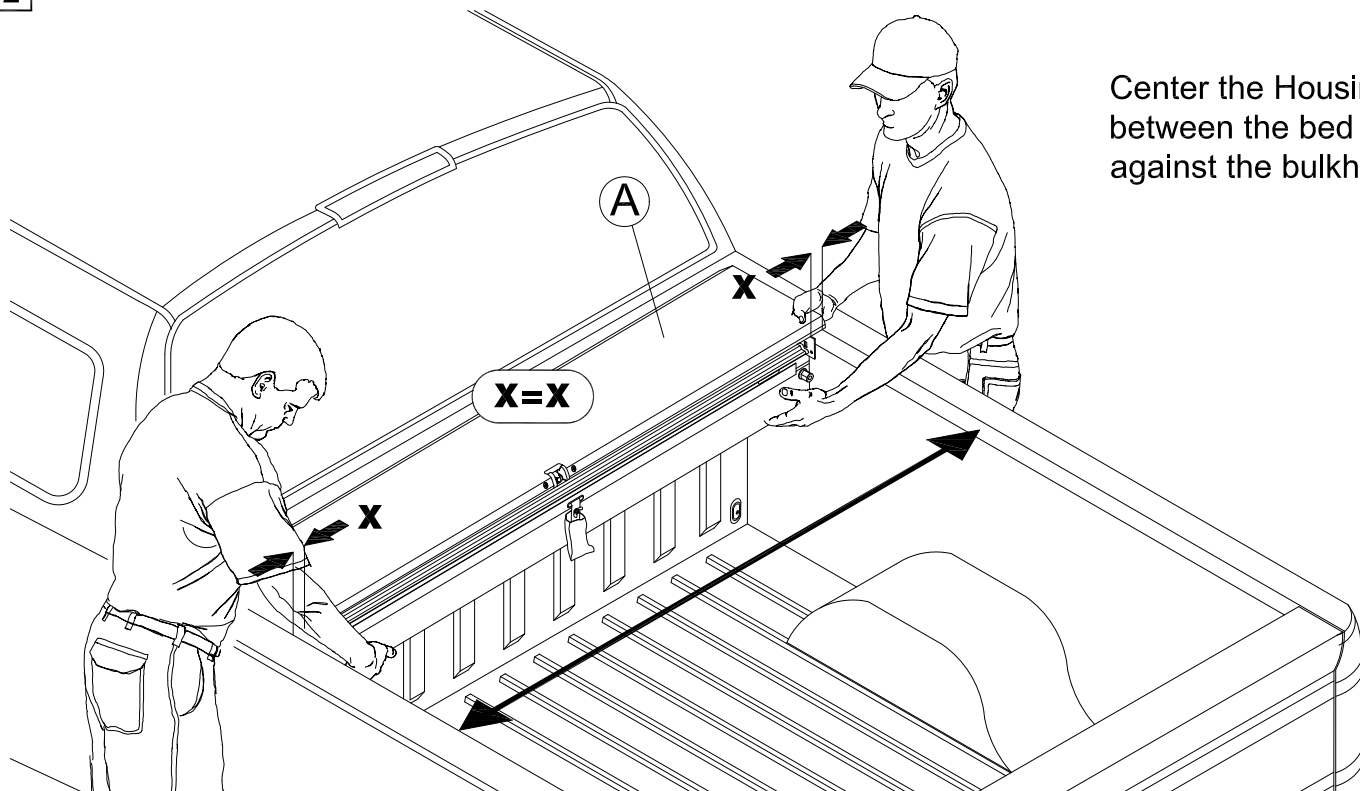


1 LHS = RHS

Drill 1/2" hole through plug at bulkhead as shown. **DO NOT** drill through the truck cab.



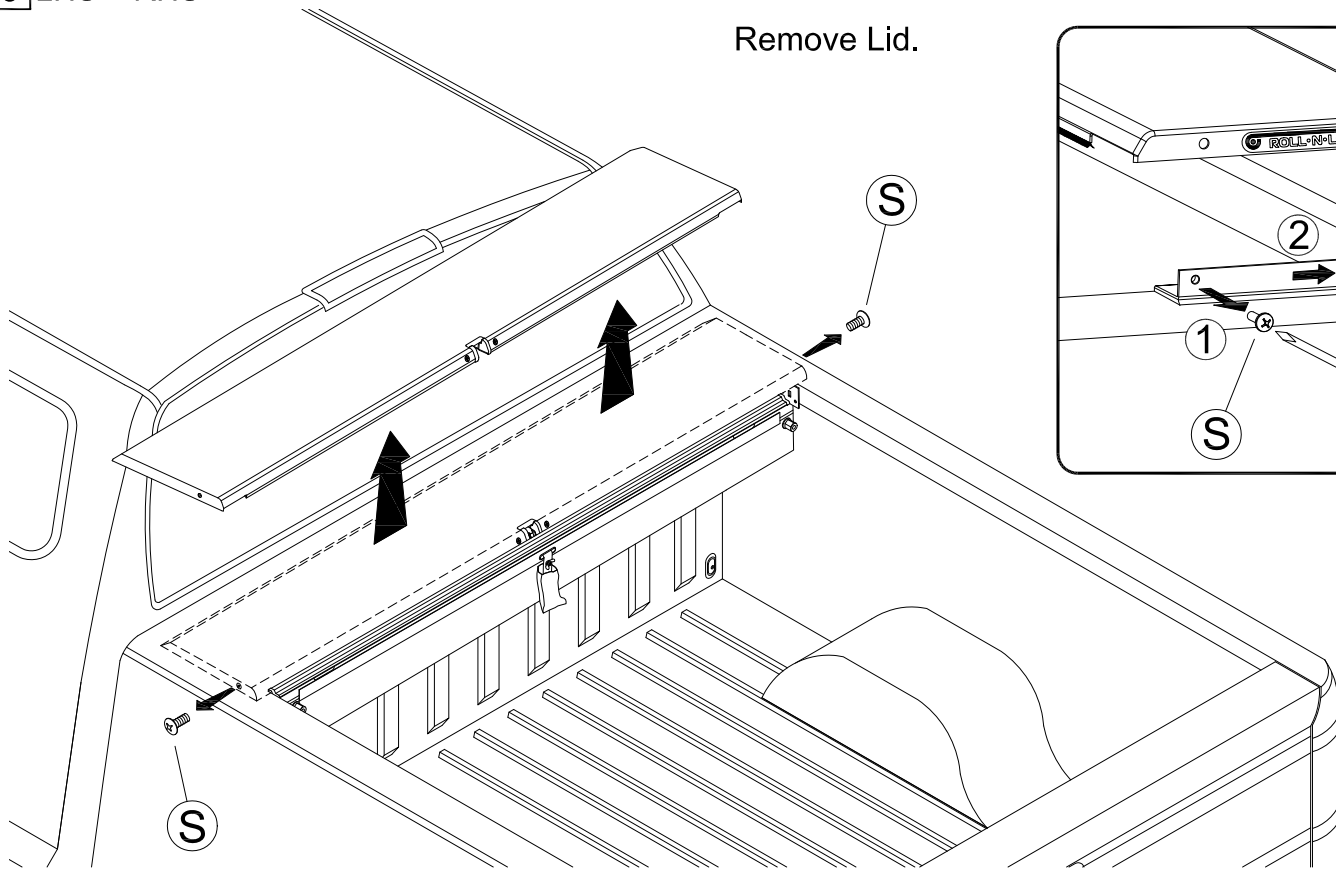
2



Center the Housing (A) between the bed rails up against the bulkhead.

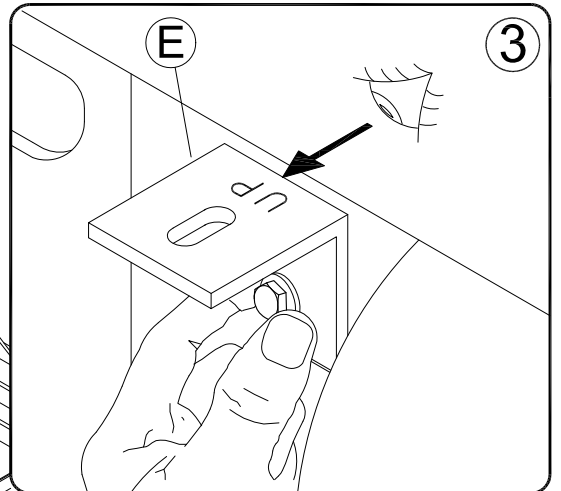
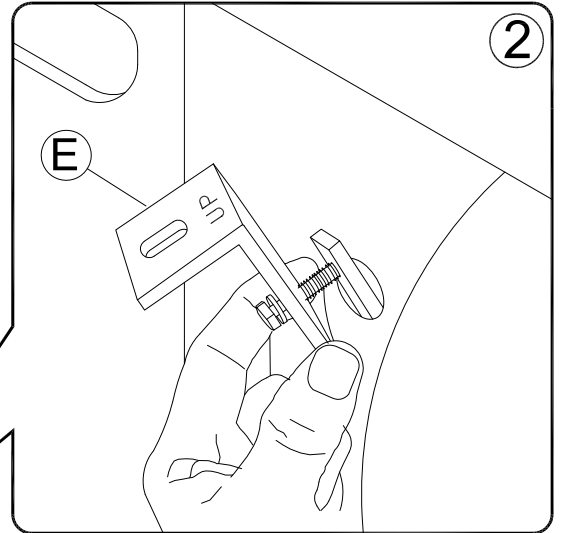
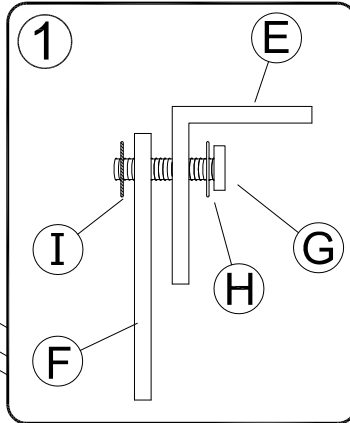
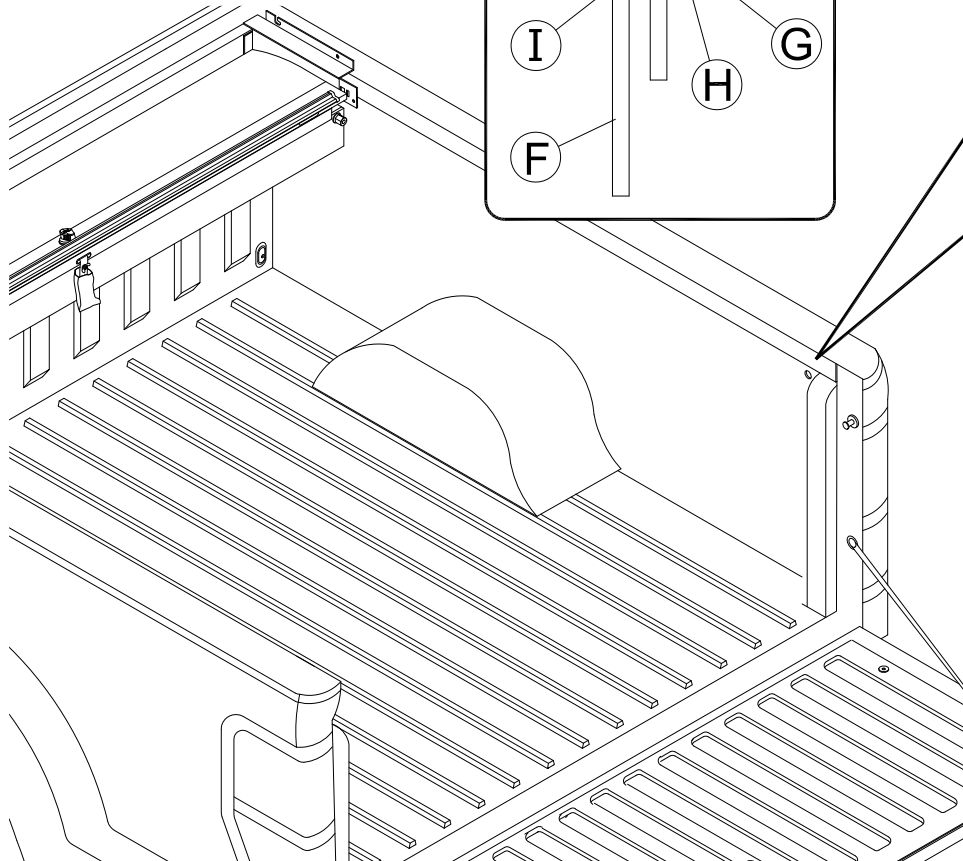
3 LHS = RHS

Remove Lid.



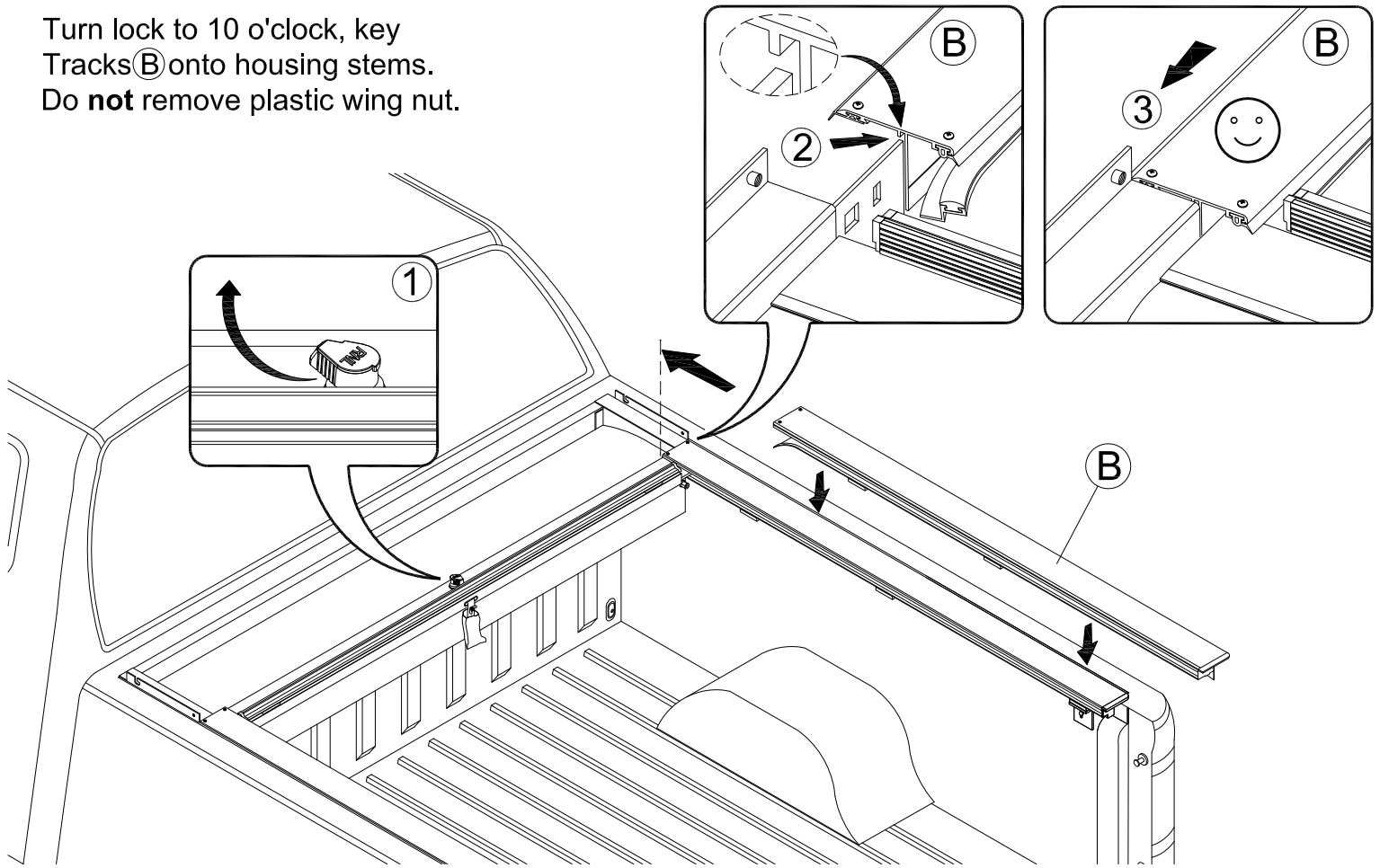
4 LHS = RHS

Assemble the track bracket (E), insert as shown and loosely attach.



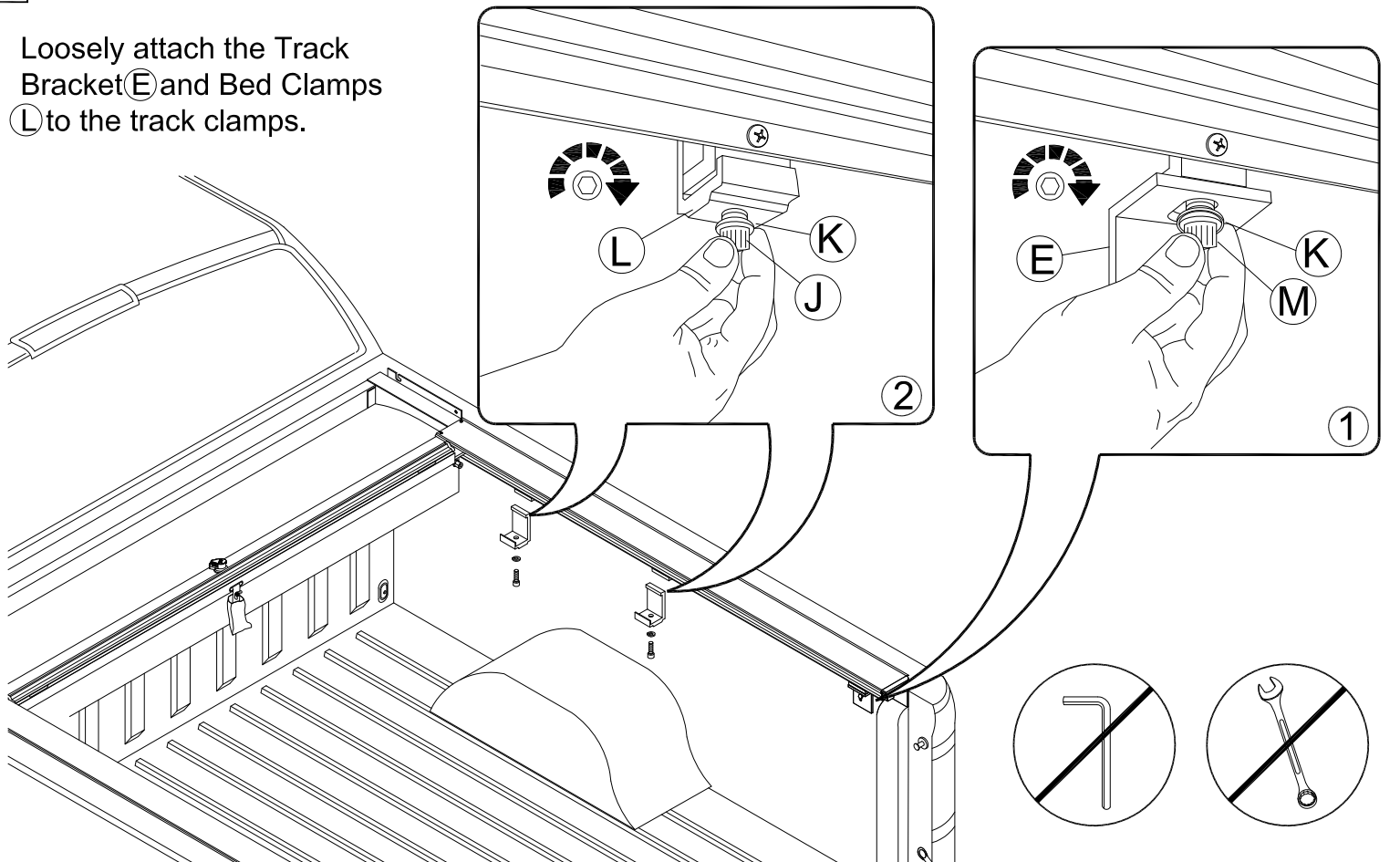
5 LHS = RHS

Turn lock to 10 o'clock, key Tracks[®] onto housing stems.
Do **not** remove plastic wing nut.

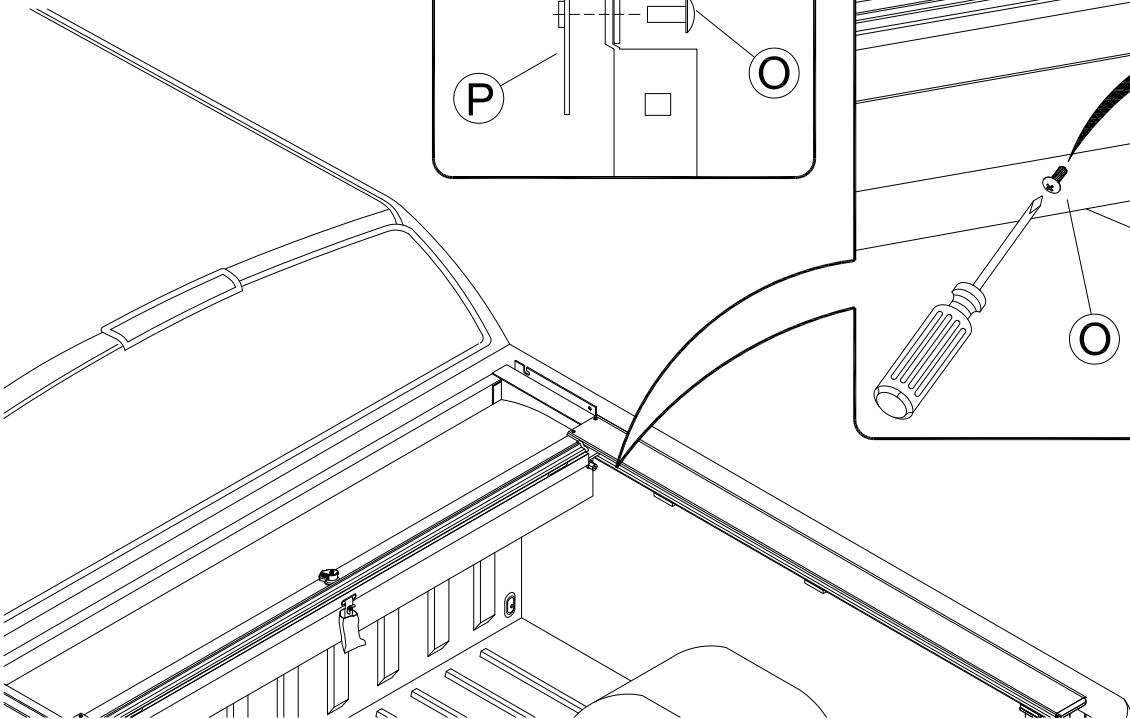
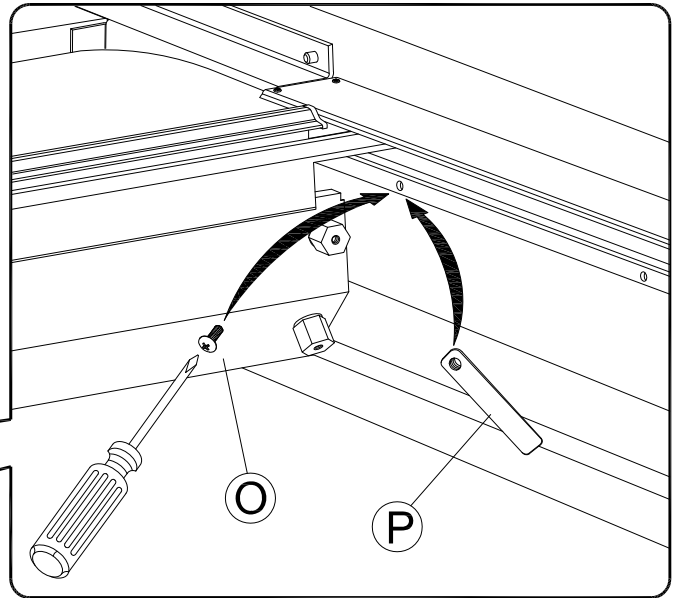
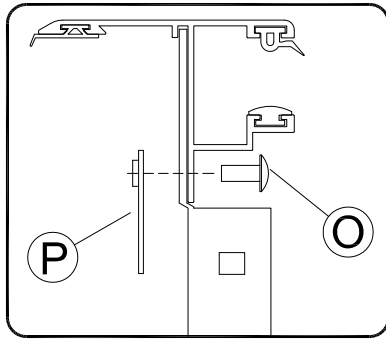


6 LHS = RHS

Loosely attach the Track Bracket (E) and Bed Clamps (L) to the track clamps.

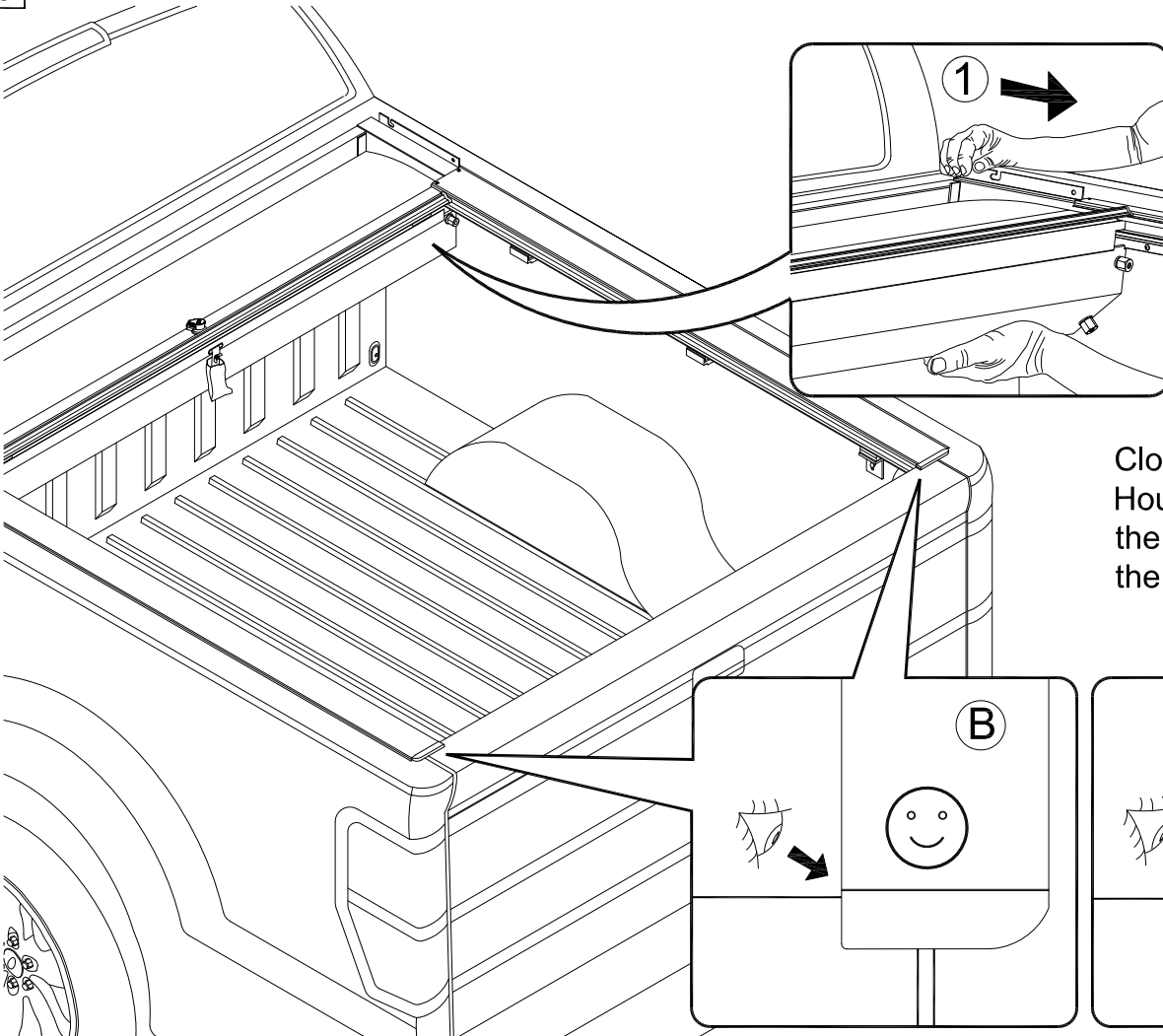


7 LHS = RHS



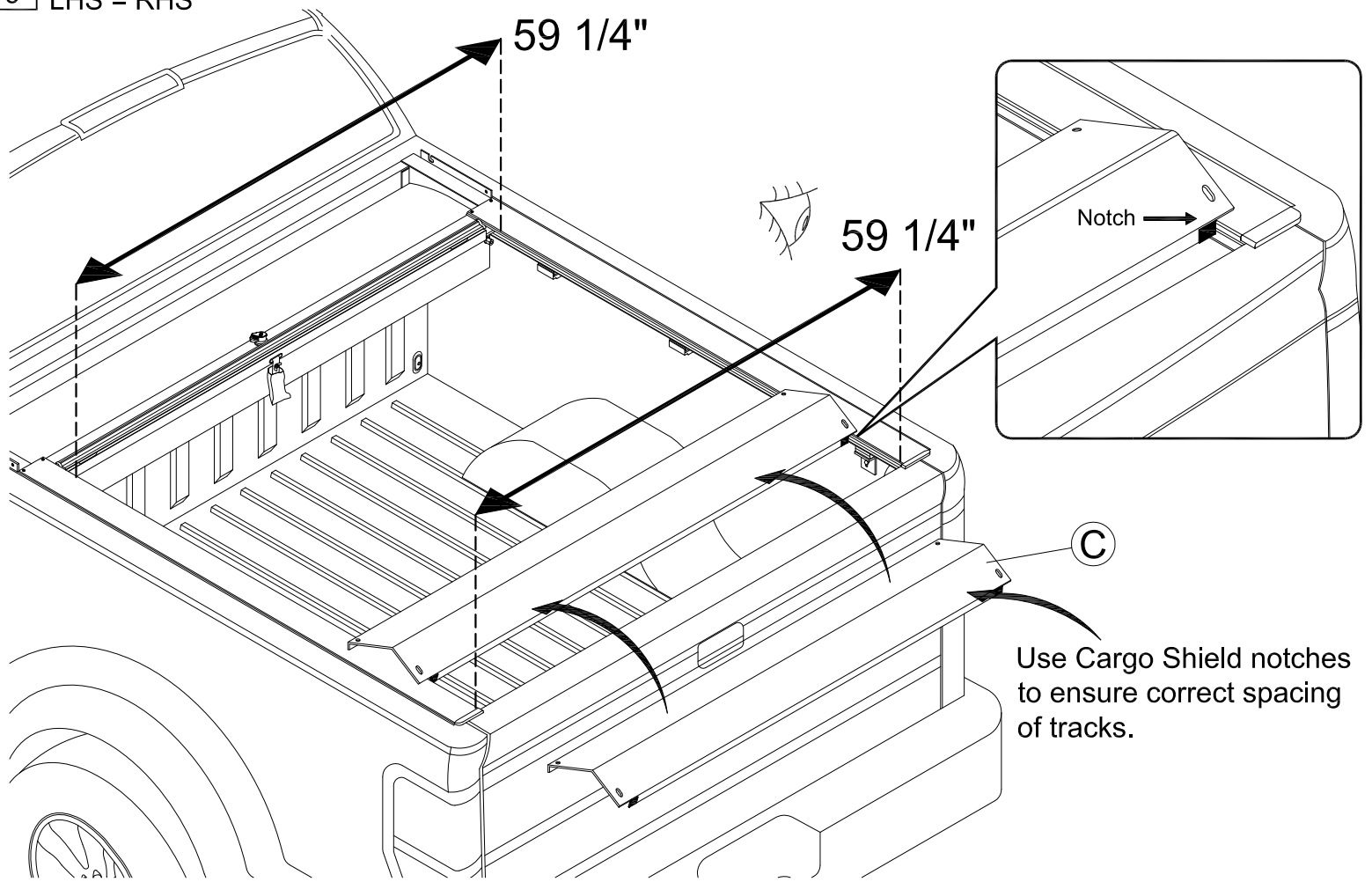
Secure Tracks to housing stems.

8 LHS = RHS



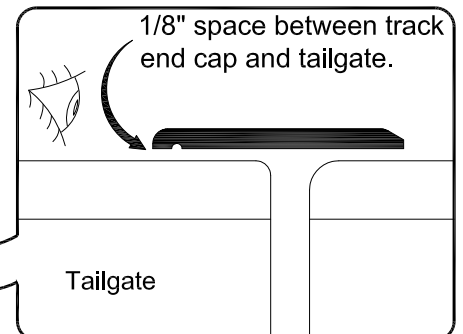
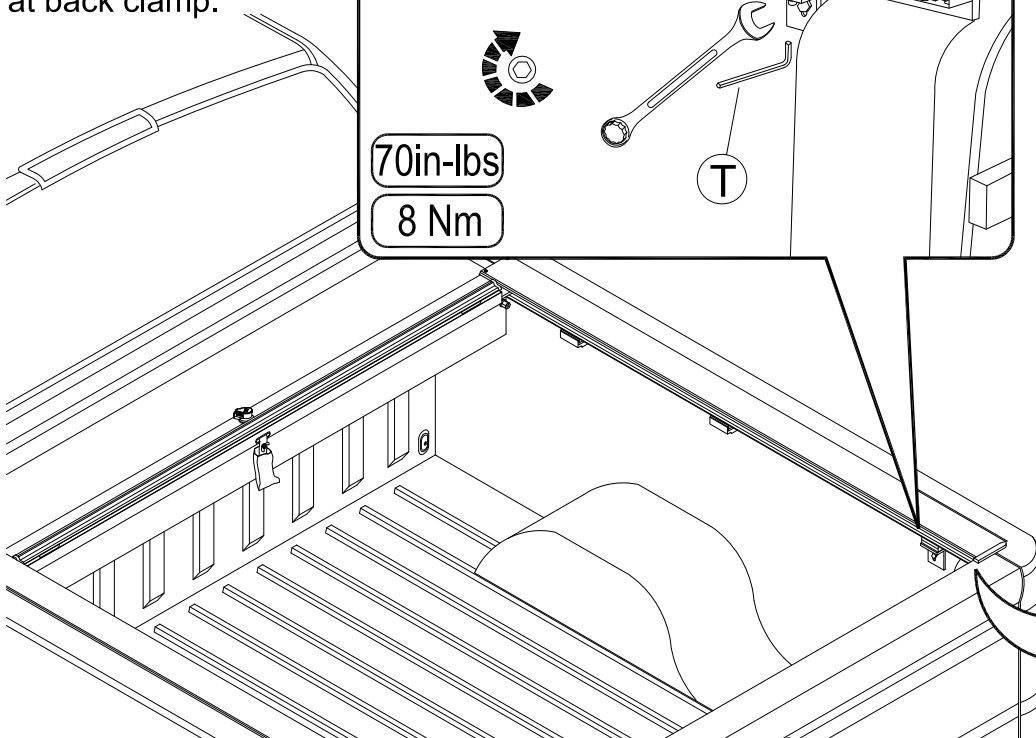
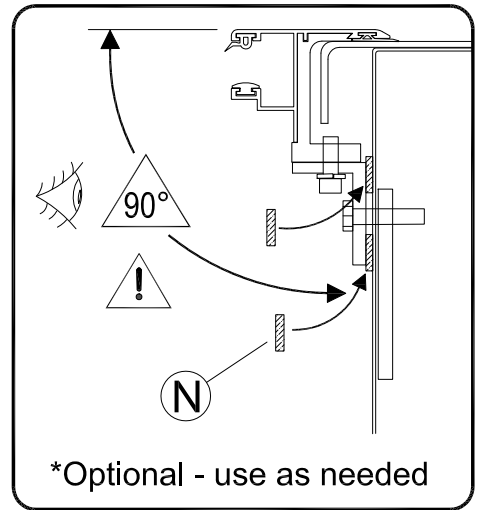
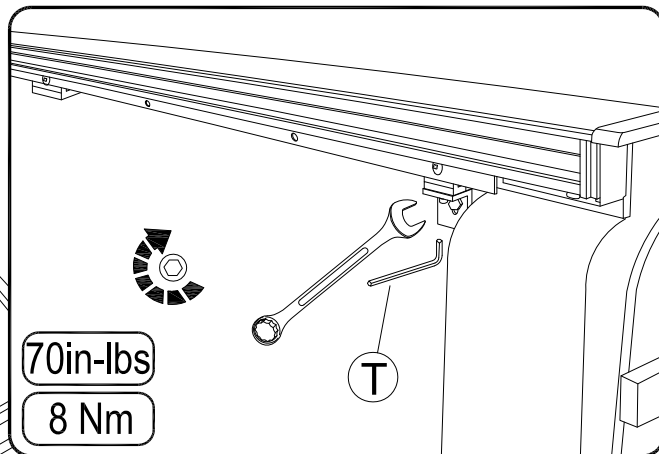
Close tailgate, shift the Housing back so the end of the Tracks are up against the tailgate.

9 LHS = RHS



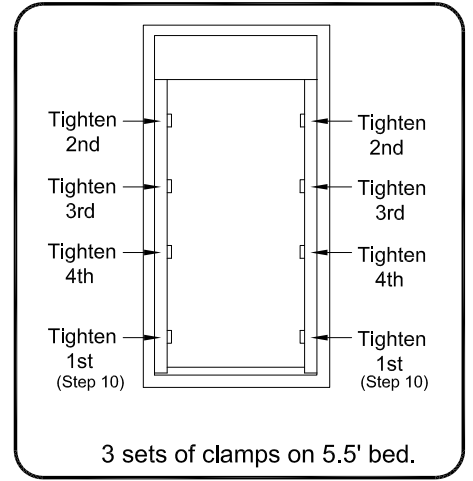
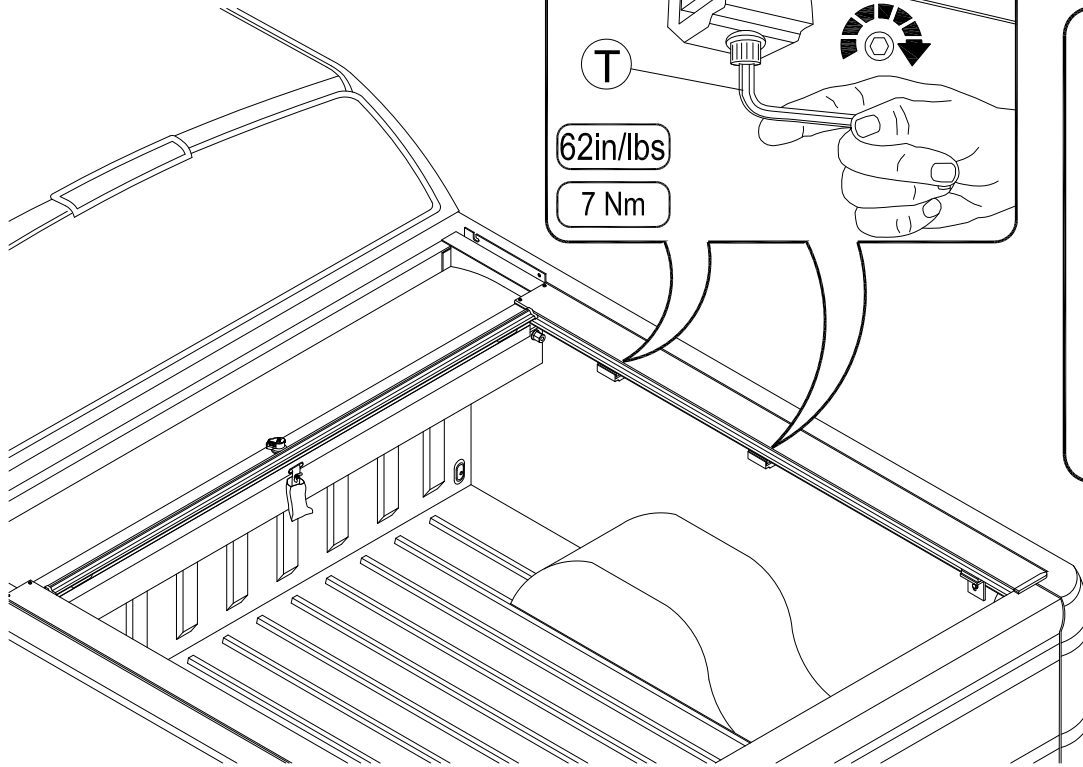
10 LHS = RHS

Once tracks are correctly spaced and adjusted to the correct height tighten fasteners at back clamp.

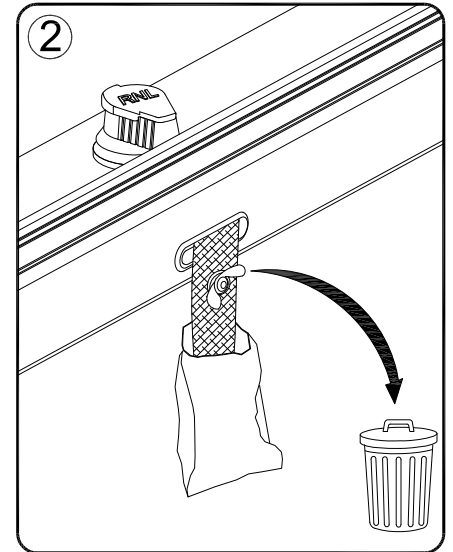
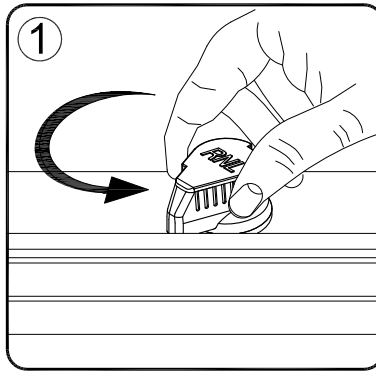
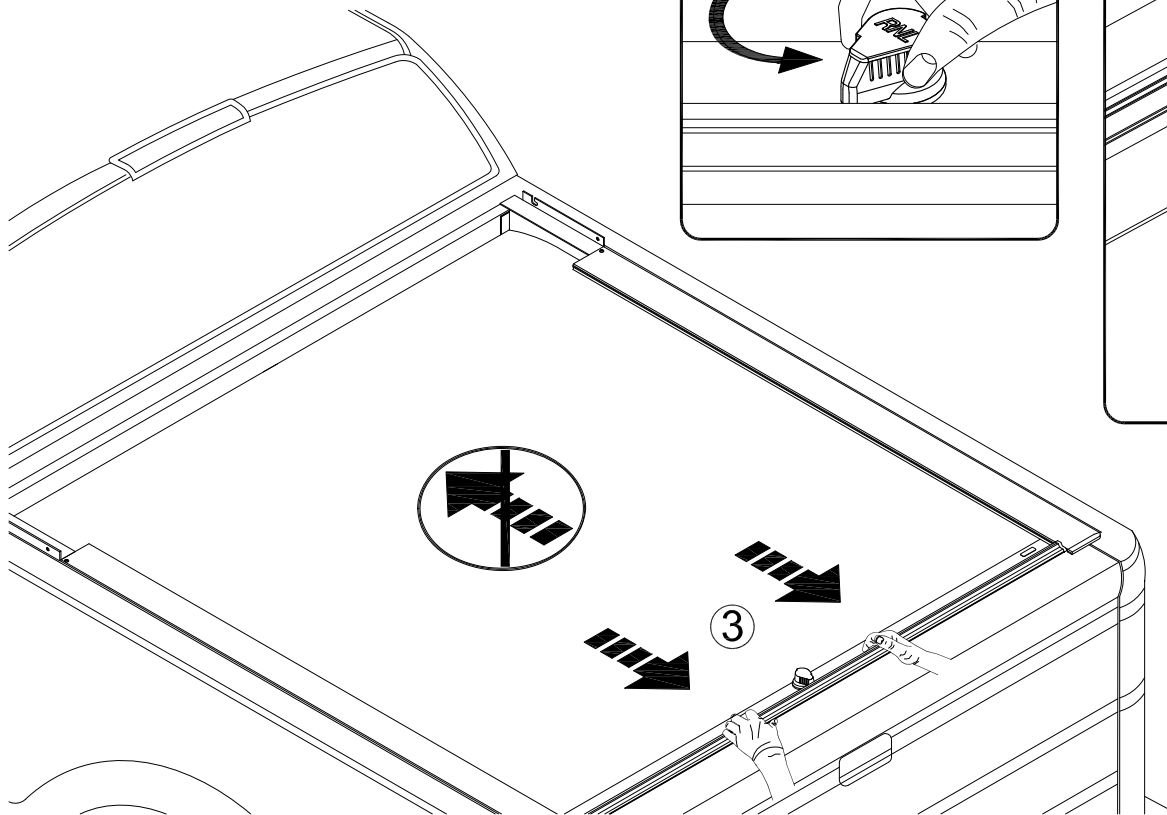


11 LHS = RHS

Tighten bed clamps to the track clamps. Note: When tight there may be a gap between the clamps, do not over tighten.

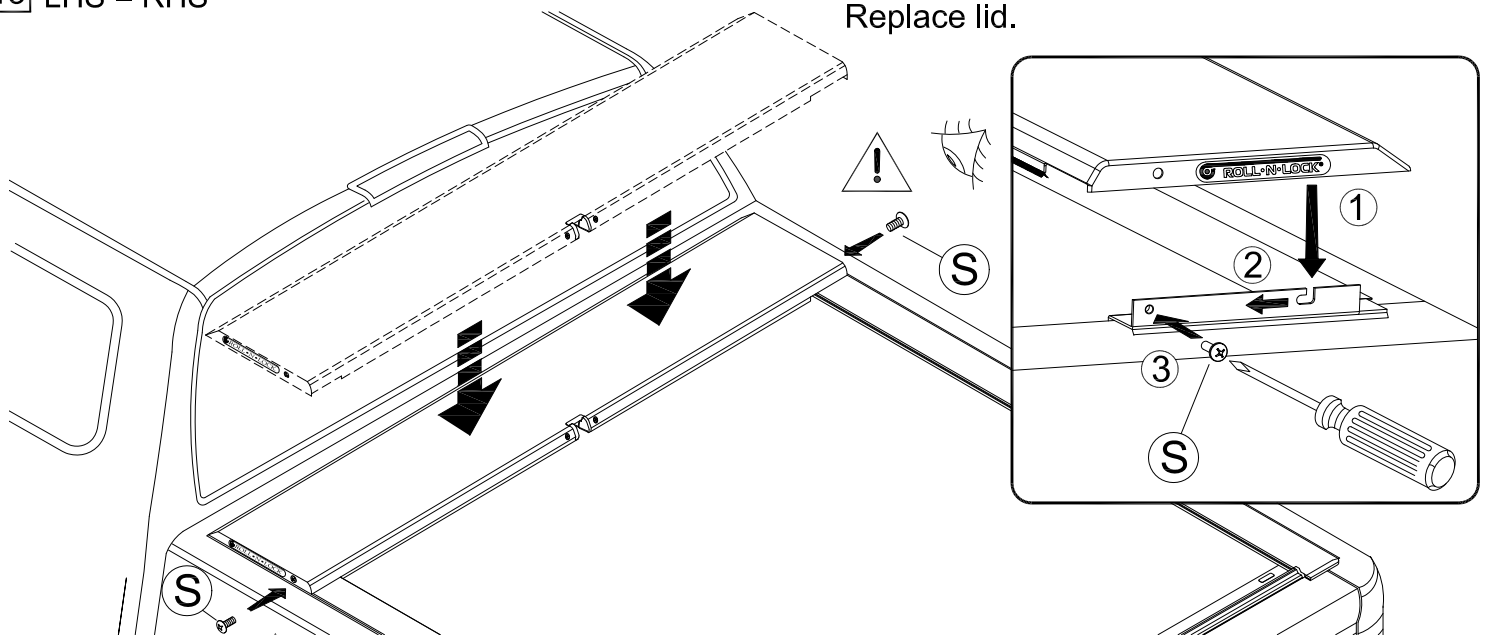


12 Turn lock to 7 o'clock, remove plastic wing nut and using both hands pull cover back to tailgate.



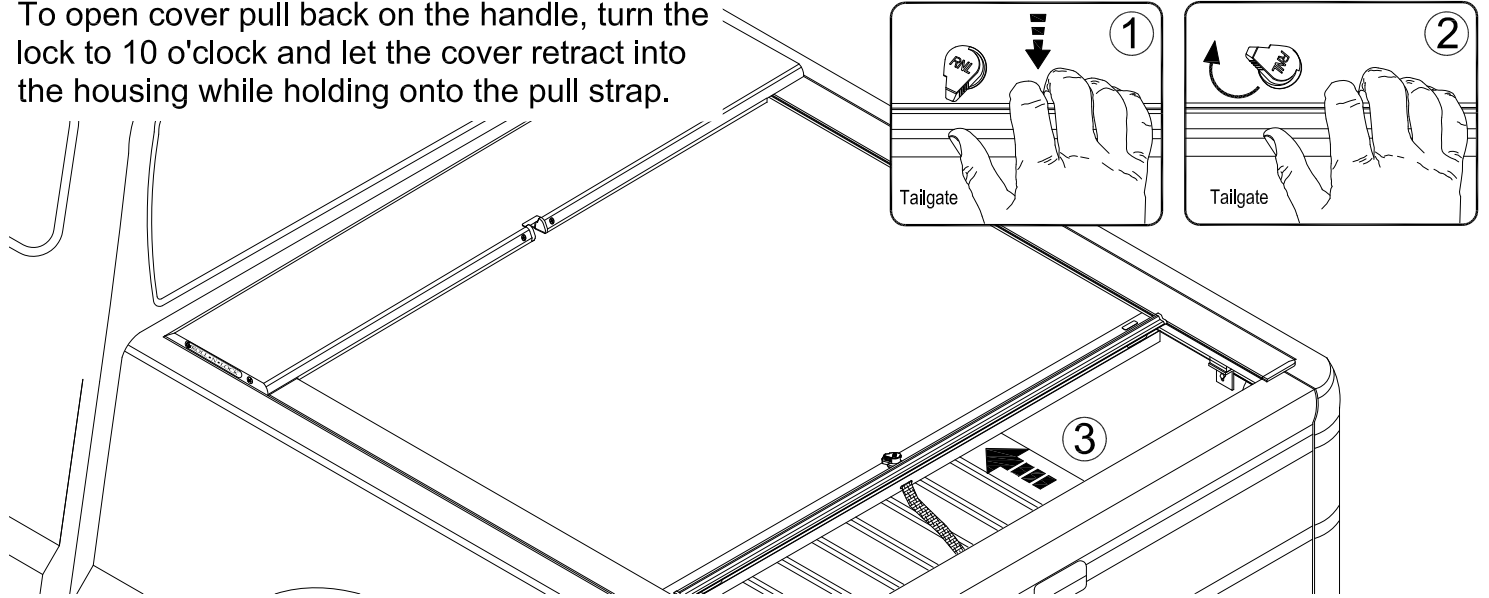
13 LHS = RHS

Replace lid.



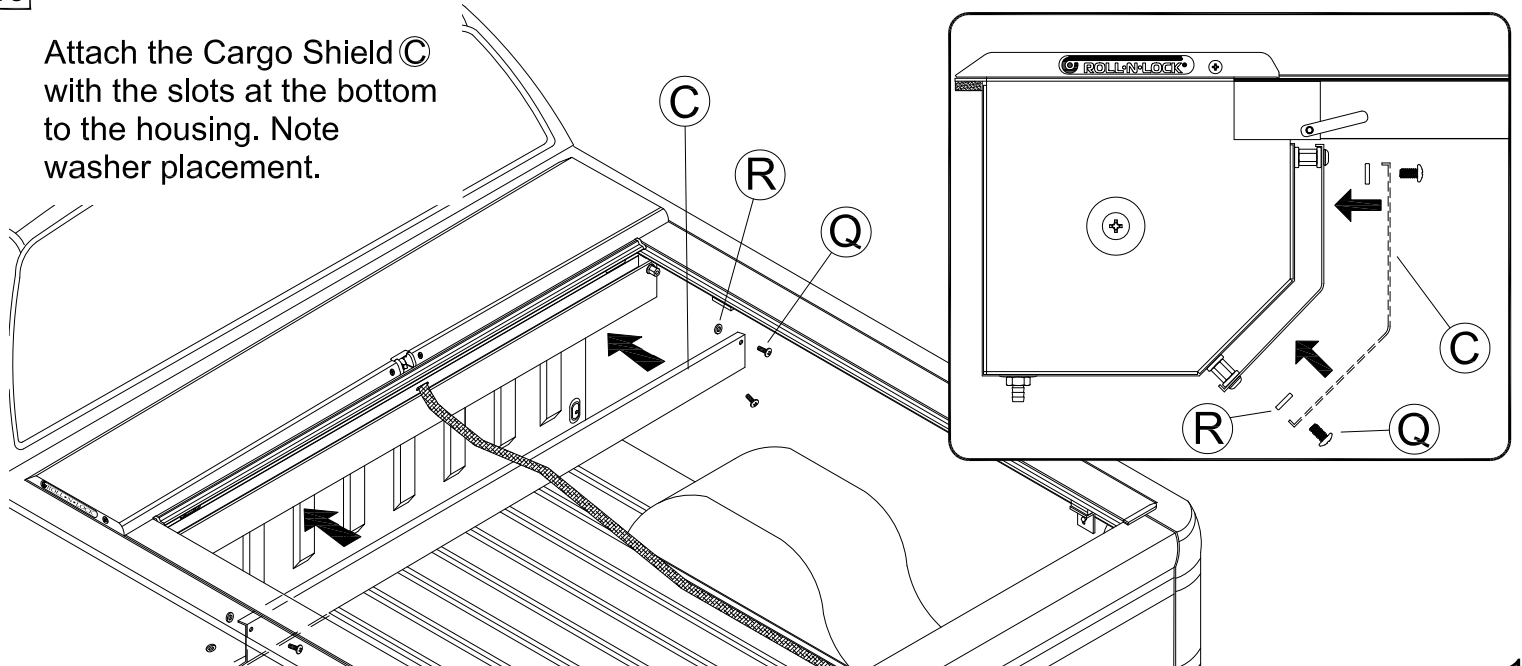
14

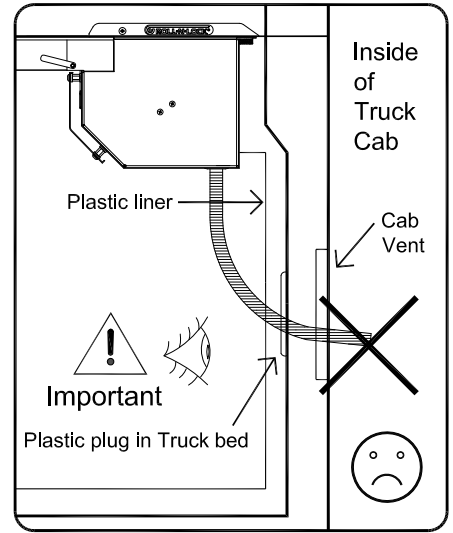
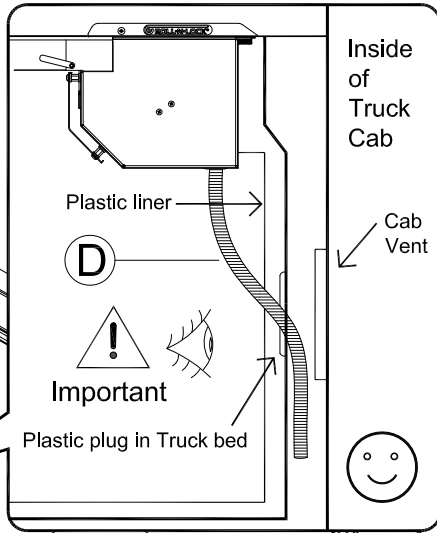
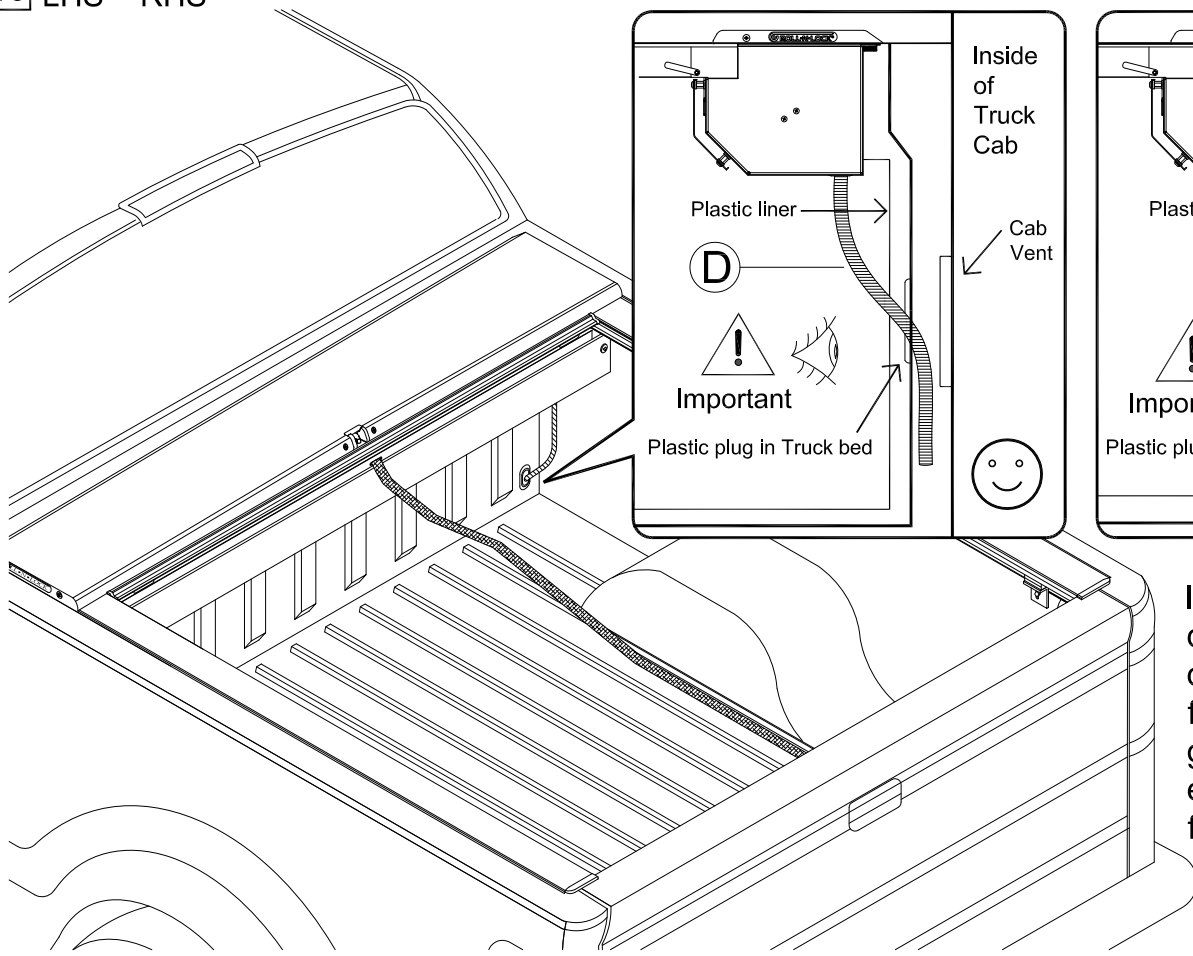
To open cover pull back on the handle, turn the lock to 10 o'clock and let the cover retract into the housing while holding onto the pull strap.



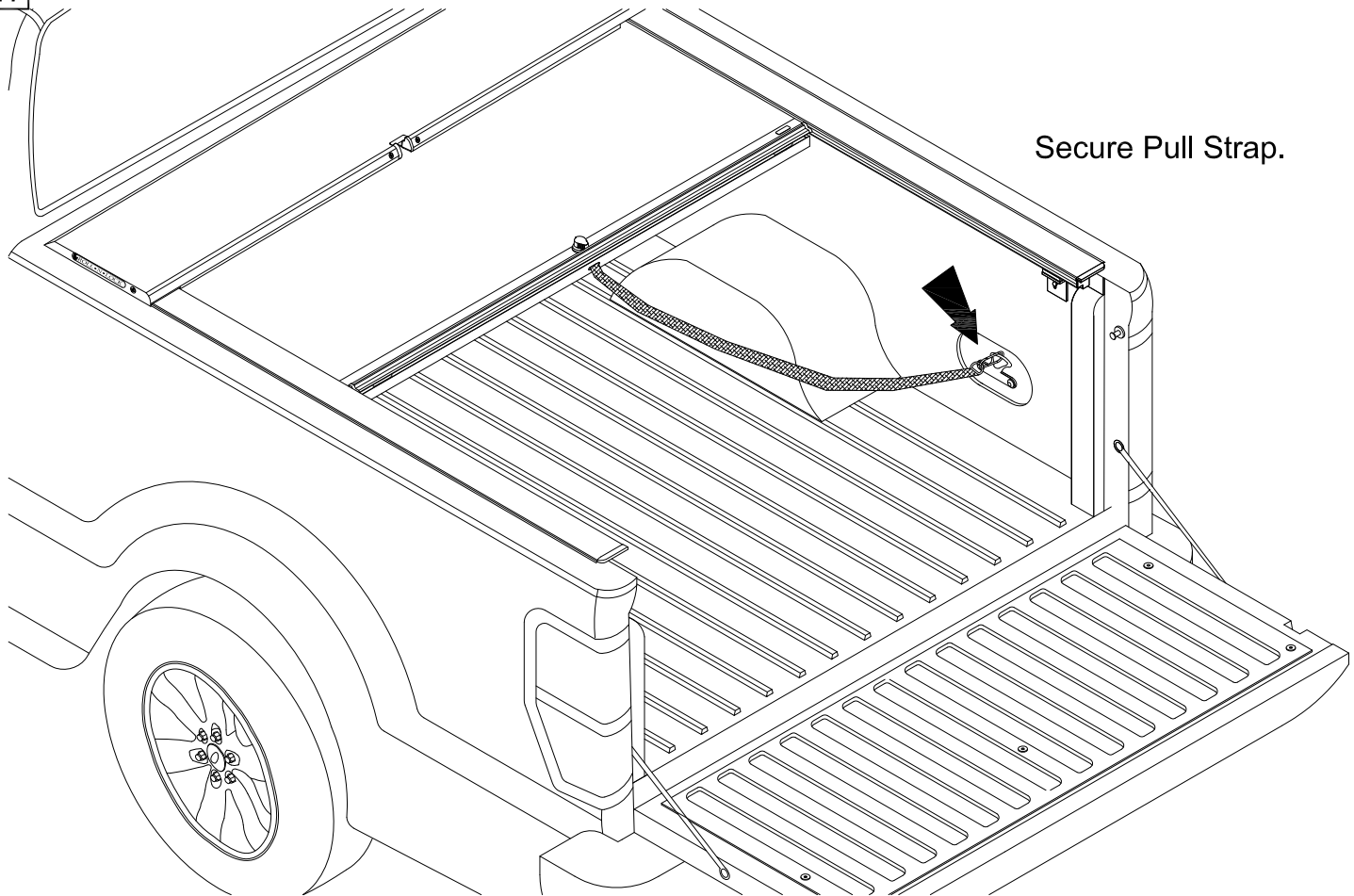
15

Attach the Cargo Shield © with the slots at the bottom to the housing. Note washer placement.





Insert one end of the drain tube **D** through the drilled 1/2" hole and feed towards the ground, insert the other end onto the housing fitting.



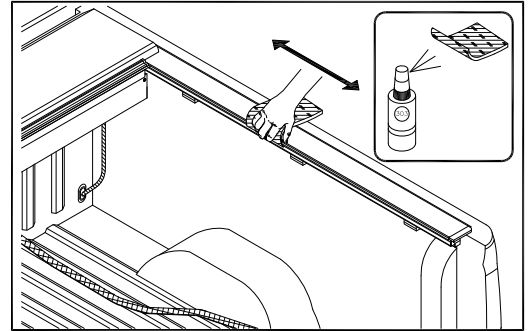
Secure Pull Strap.

Troubleshooting

Cover is hard to pull or retract.



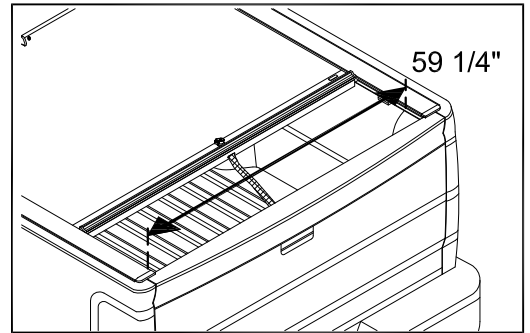
Spray 303[®] on a rag and wipe the top gasket in the Track back and forth.



Cover does not latch.



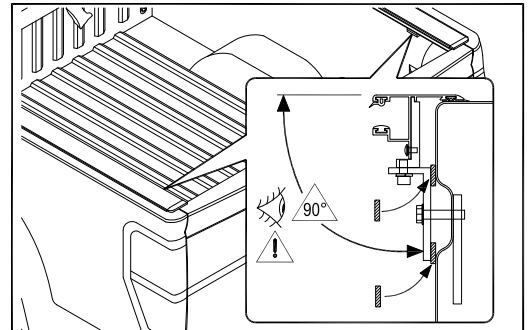
Check Track to Track measurement.



Track tips up or down.



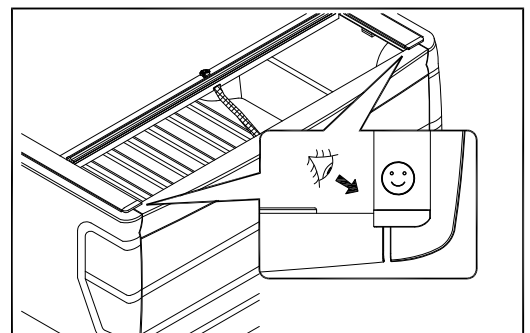
Use shim(s) behind bracket to level Track.



Cover does not reach tailgate.



Make sure Tracks are back against tailgate.



Any questions please call Customer Service at 800-952-7655
or email customerservice@rollnlock.com