

ACCESS[®]



TRUCK BED POCKETS INSTALLATION

NOTICE TO INSTALLER: Even if familiar with product, read these instructions prior to installation as improvements may be made without notice. Always handle components with care. When done, these instructions must be given to the consumer.

NOTICE TO CONSUMER: Before using this product, read instructions. Save these instructions for future reference.



Questions? 866-630-8726
agricover.com

PREPARATION

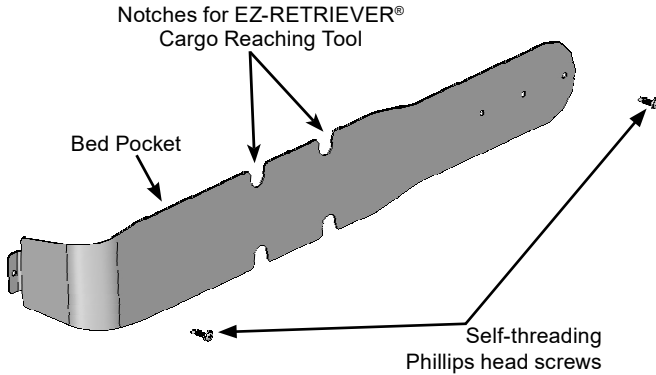
TOOLS NEEDED

- Drill with #3 Phillips bit
- 7/16" Wrench (HD only)
- Marking pen
- Eye protection

IMPORTANT: Inspect inside wheel well and box wall for hidden components such as electrical wiring before drilling holes, make adjustments as needed.

NOTE: Drop in bedliners require drilling through bedliner to reach steel box wall behind.

G2 TRUCK BED POCKETS

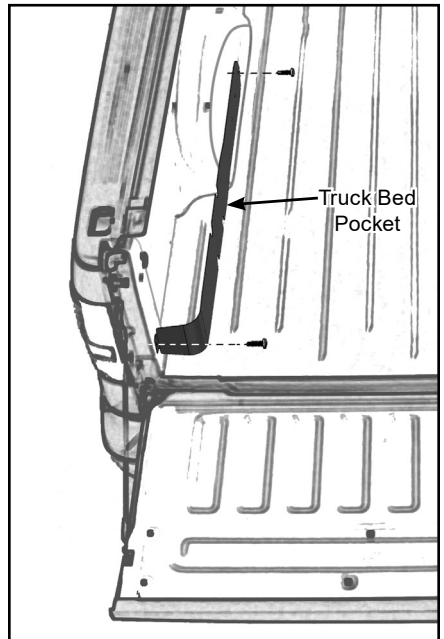


A. Hold bed pocket level against wheel well and box wall by tailgate. Close tailgate and ensure bed pocket does not interfere.

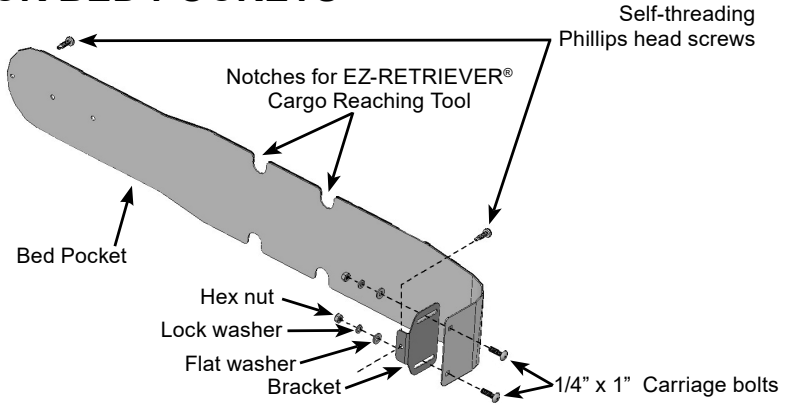
B. Select best of three holes on wheel well and mark for screw location. Make another mark by tailgate for second screw location.

C. Align bed pocket hole with mark on box wall near tailgate and on wheel well. Run self-threading screws into hole locations. Do not overtighten.

D. Repeat installation process for bed pocket on opposite side.



HD TRUCK BED POCKETS



A. Preassemble bed pocket and bracket. Hold assembly level against wheel well and box wall by tailgate. Close tailgate and ensure bed pocket does not interfere.

B. Select best of three holes on wheel well and mark for screw location. Make another mark by tailgate for screw location.

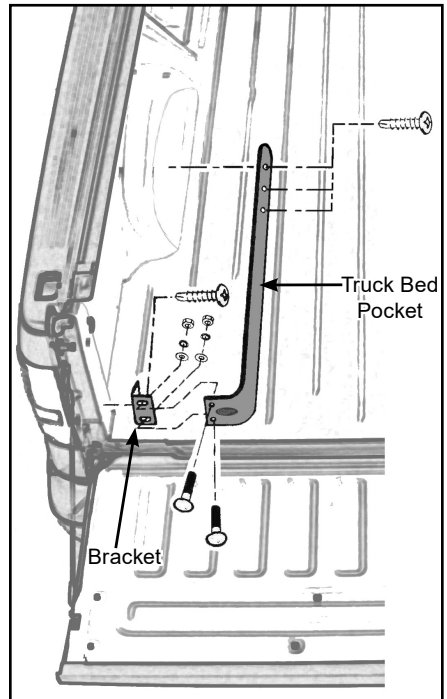
C. Disassemble bracket from bed pocket. With bracket vertical, align hole with mark on box and run self-threading screw into box wall. Do not overtighten.

D. Reassemble bed pocket to bracket. Leave nuts finger tight.

E. Align bed pocket with mark on well wheel and fasten with self-threading screw. Do not over tighten.

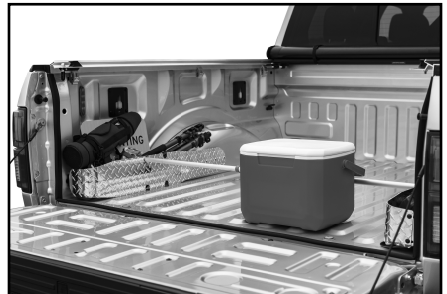
F. Tighten nuts holding pocket to bracket.

G. Repeat installation process for bed pocket on opposite side.



GRAB IT. MOVE IT. STORE IT.

ACCESS® Truck Bed Pockets work in conjunction with your EZ-RETRIEVER® or EZ-RETRIEVER® II Cargo Reaching Tool, included in ACCESS® Cargo Management Kits or sold separately.





Agri-Cover, Inc.
Customer Service Dept
3000 Hwy 281 SE
Jamestown, ND 58402
Phone: 866-630-8726

Hours: 8:00 am - 5:00 pm CST Monday through Friday, except Holidays