

iArmor[®]

iArmor[®] by APS

PART#: IA-S004

BEFORE INSTALLATION

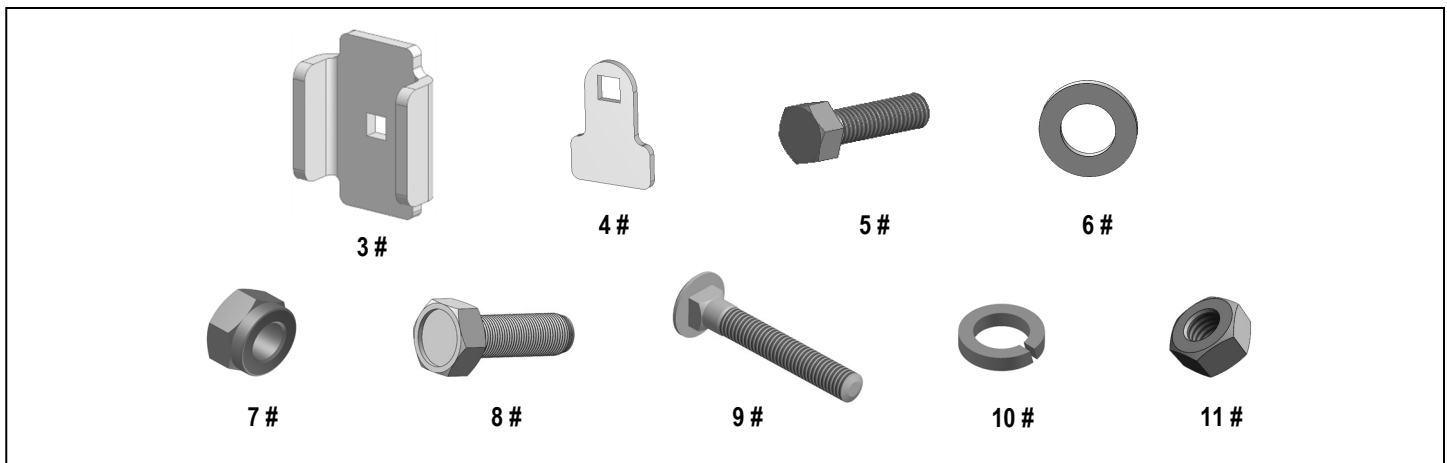
REMOVE CONTENTS FROM BOX. VERIFY ALL PARTS ARE PRESENT. READ INSTRUCTIONS CAREFULLY BEFORE STARTING INSTALLATION. ASSISTANCE IS RECOMMENDED. THANK YOU FOR CHOOSING OUR PRODUCT!

*ROCKER PANEL MOUNT

*DRILLING IS REQUIRED/ NO TRIMMING REQUIRED

Fastener Size	Tightening Torque (ft-lbs)	Required
6mm	6-7	X
8mm	16-18	√
10mm	31-32	X
12mm	56-58	X
14mm	92-94	X

Item	QTY	Description	Item	QTY	Description
1#	3	Driver Front & Passenger Center/Rear Mounting Brackets	7#	6	M8X1.25 Nylon Lock Nuts
2#	3	Passenger Front & Driver Center/Rear Mounting Brackets	8#	18	ST6.3-25mm Hex Self Tapping Screws
3#	6	U Brackets	9#	6	M8X1.25-55mm Carriage Bolts
4#	12	Spacers	10#	6	M8 Lock Washers
5#	6	M8X1.25-20mm Hex Bolts	11#	6	M8X1.25 Hex Nuts
6#	18	M8 Large Flat Washers			



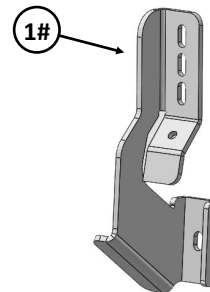
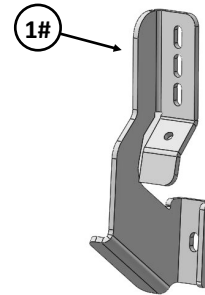
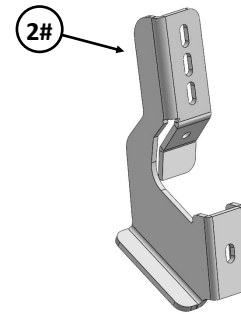
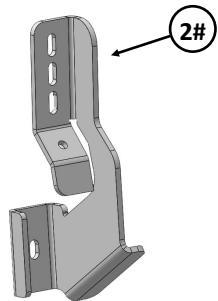
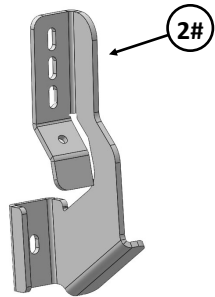
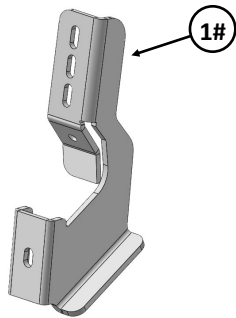
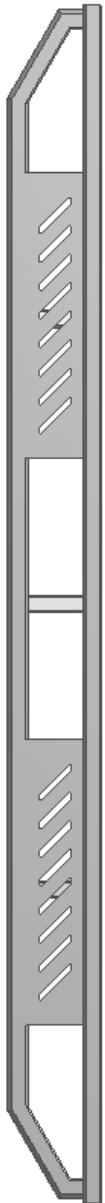
Customer Support: info@iarmorauto.com

iArmor®

Driver

Front

Passenger

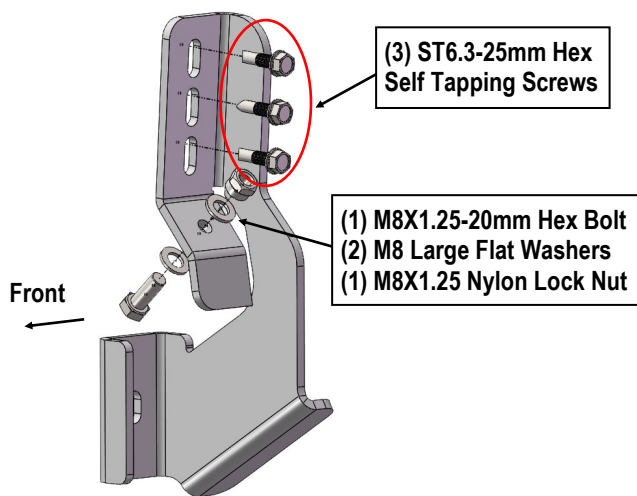


iArmor®

The instruction here is for your reference only. We strongly recommend the professional installer for best result. We are not responsible for any damage caused by the installation.

STEP 1

Start the installation from the driver side of the vehicle. Attach (3) Driver Side Brackets to the rocker panel with (3) ST6.3-25mm Hex Self Tapping Screws per bracket, (Fig 1). Don't fully tighten at this time.



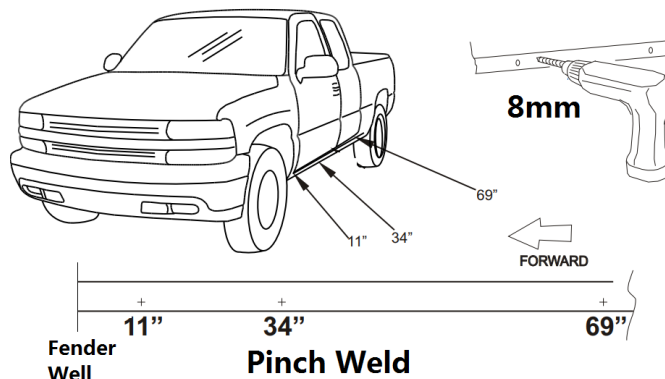
(Fig 1) Driver Side Mounting Bracket Installation Exemplified

STEP 2

Use the Mounting Brackets as template, mark and drill (3) 8mm holes in pinch weld. If necessary, remove the brackets from the rocker panel for drilling, (Fig 2).

Note: The dimensions on Fig 2 for reference only. It may be varied on some models.

(VERIFY LOCATIONS BEFORE DRILLING AND FINAL ATTACHMENT.)



(Fig 2) Driver Side Pinch Weld Mounting Holes Drilling

STEP 3

Attach (3) Mounting Brackets onto the drilled holes on pinch weld with (3) M8X1.25-20mm Hex Bolts, (6) M8 Large Flat Washers and (3) M8X1.25 Nylon Lock Nuts, (Fig 1). Don't fully tighten at this time.

STEP 4

Once all (3) driver side mounting brackets are installed, select and attach the Driver Side Step Bar onto the Mounting Brackets with (3) U Brackets, (6) Spacers, (3) M8X1.25-55mm Carriage Bolts, (3) M8 Large Flat Washers, (3) M8 Lock Washers and (3) M8X1.25 Hex Nuts (Fig 3). Do not fully tighten hardware at this time.

STEP 5

Properly level and adjust the Step Bar and fully tighten all hardware.

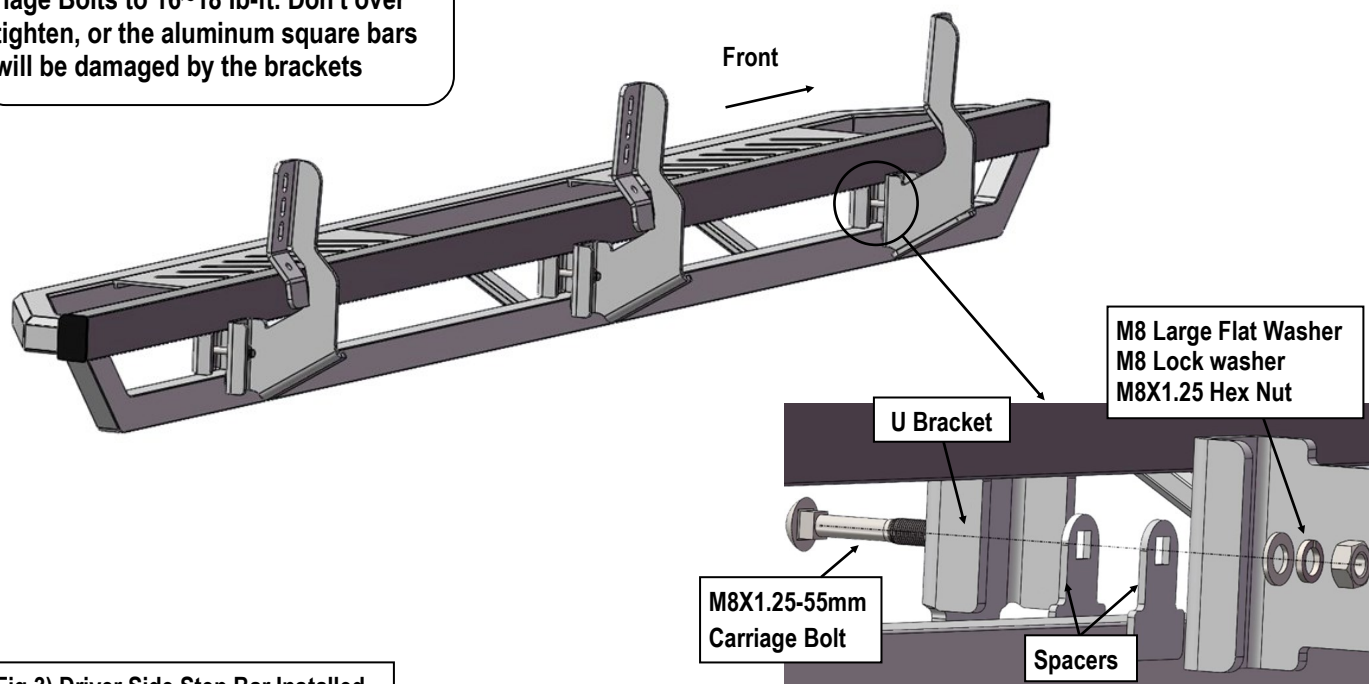
STEP 6

Move to the passenger side of the vehicle. Repeat Steps 1-5 to install the passenger side step bar.

Installation completed.

iArmor[®]

NOTE: Torque all M8 X1.25-55mm Carriage Bolts to 16~18 lb-ft. Don't over tighten, or the aluminum square bars will be damaged by the brackets



(Fig 3) Driver Side Step Bar Installed

Attention

Do periodic inspections to the installation to make sure that all hardware is secure and tight. In order to protect your bars/boards, please use only mild soap/non-abrasive products for cleaning.