

# iArmor<sup>®</sup>

## iArmor<sup>®</sup> by APS

PART#: IA-S280

### BEFORE INSTALLATION

REMOVE CONTENTS FROM BOX. VERIFY ALL PARTS ARE PRESENT. READ INSTRUCTIONS CAREFULLY BEFORE STARTING INSTALLATION. ASSISTANCE IS RECOMMENDED. THANK YOU FOR CHOOSING OUR PRODUCT!

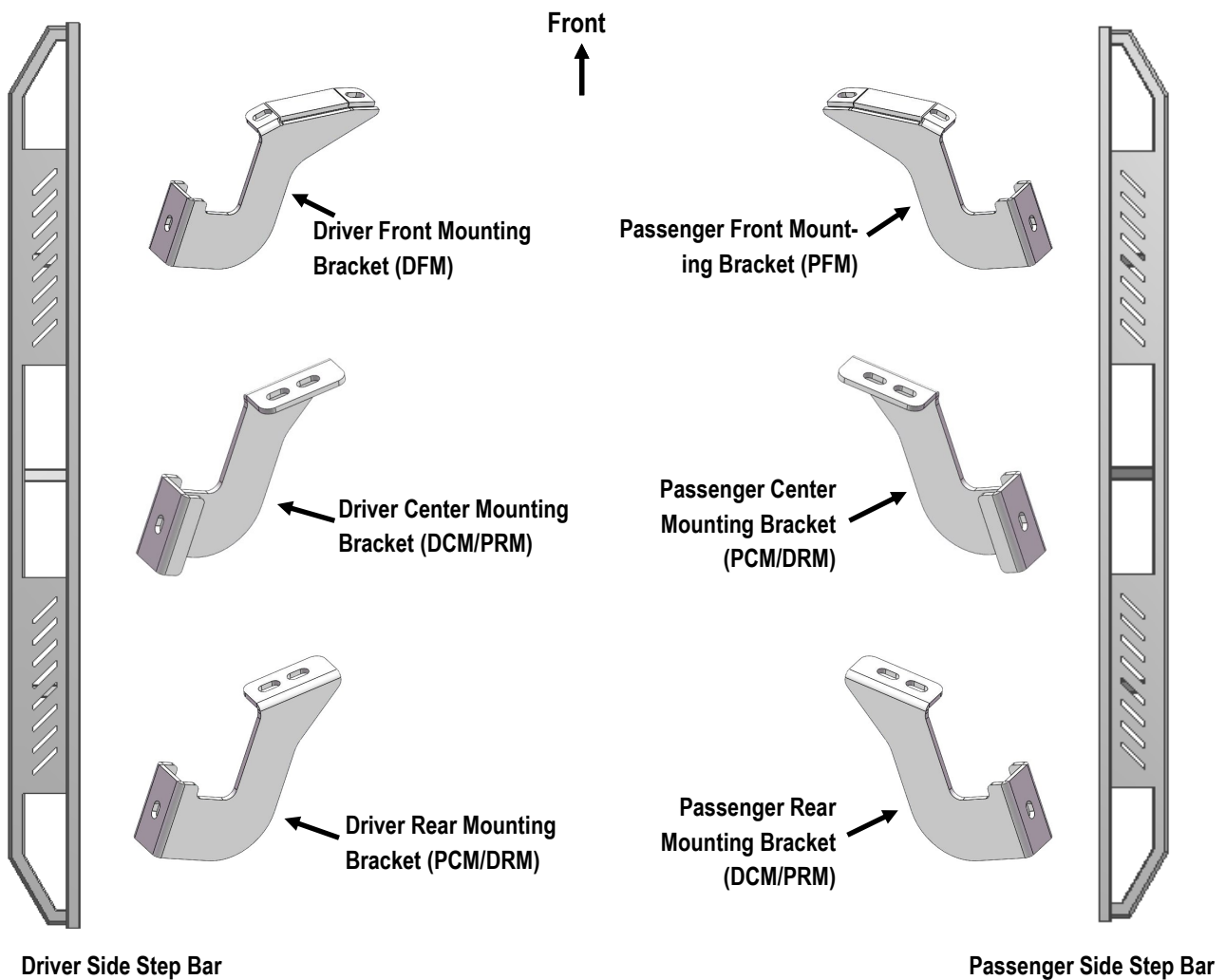
**\*ROCKER PANEL MOUNT**

**\*NO DRILLING / TRIMMING REQUIRED**

### Torque Value

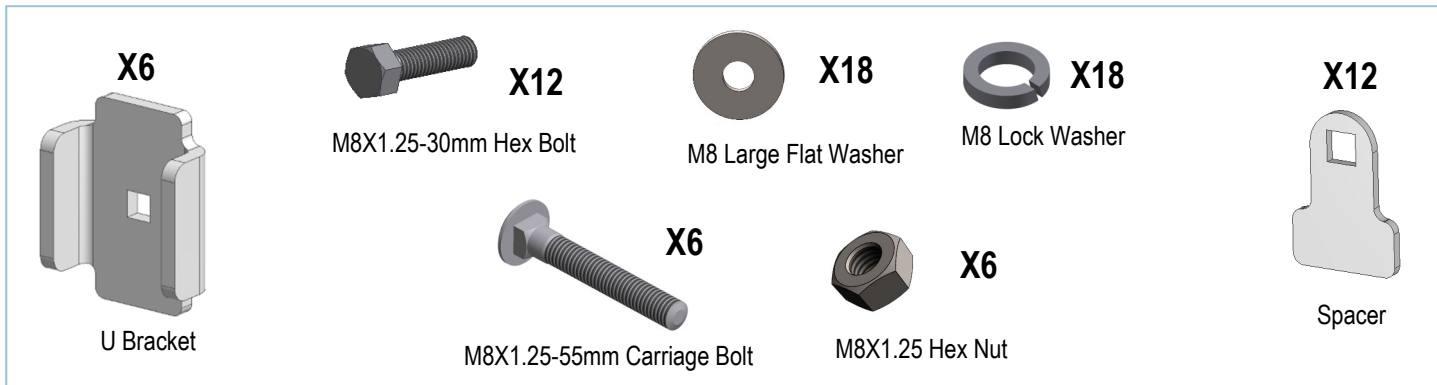
Fastener Size	Tightening Torque (ft-lbs)	Required
6mm	6-7	X
8mm	16-18	√
10mm	31-32	X
12mm	56-58	X
14mm	92-94	X

### PART LIST



Customer Support: [info@iarmorauto.com](mailto:info@iarmorauto.com)

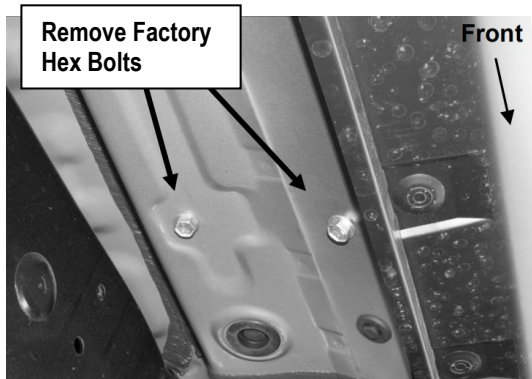
# iArmor®



The instruction here is for your reference only. We strongly recommend the professional installer for best result. We are not responsible for any damage caused by the installation.

## STEP 1

Start installation on the passenger side of the vehicle, remove the existing (2) factory bolts located by the front tire opening securing the factory rocker panel bracket to the vehicle, (Fig 1).

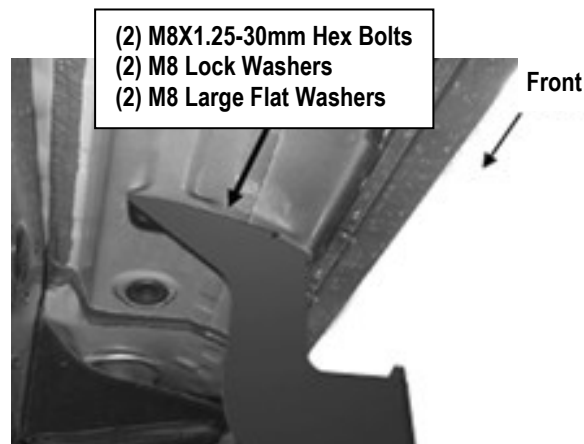


(Fig 1) Passenger Front Mounting Bracket Location Pictured

## STEP 2

Select (1) Passenger Front Mounting Bracket (PFM). Hold the Passenger Front Mounting Bracket (PFM) over the rocker panel bracket and line up the (2) mounting holes. Secure the brackets

to the vehicle using the included longer (2) M8X1.25-30mm Hex Bolts, (2) M8 Lock Washers and (2) M8 Large Flat Washers, (Fig 2). Do not tighten hardware at this time.

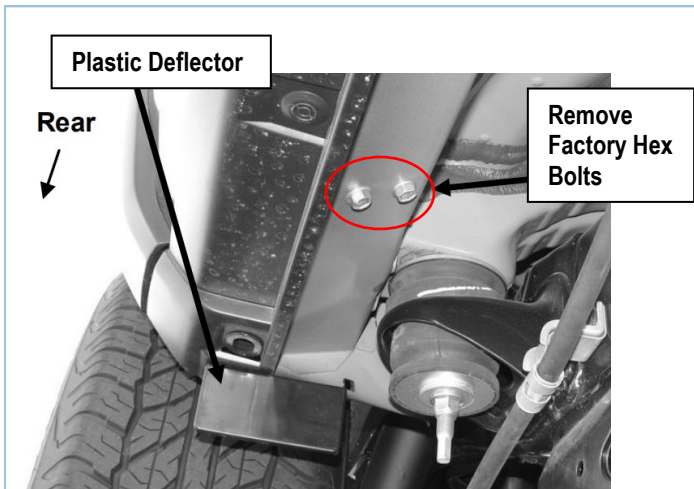


(Fig 2) Passenger Front Mounting Bracket Installation

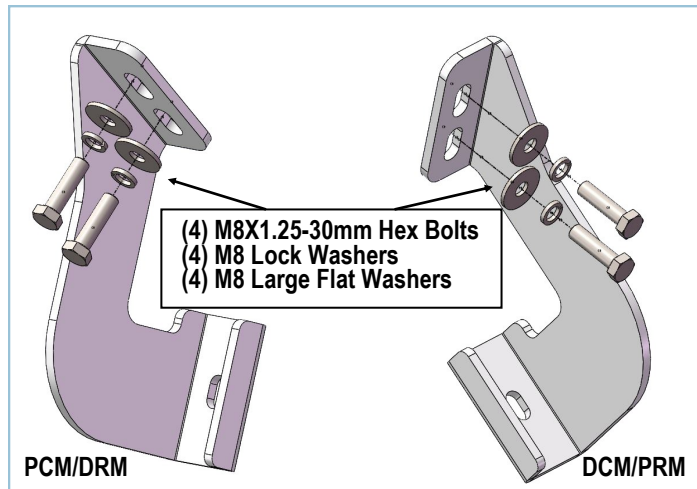
## STEP 3

Move to the passenger side center and rear mounting locations, (Fig 3). Repeat **Steps 1-2** to install the Passenger Center Mounting Bracket (PCM/DRM) and Passenger Rear Mounting Bracket (DCM/PRM) (Fig 4). Do not fully tighten hardware at this time.

# iArmor®



(Fig 3) Passenger Rear Mounting Bracket Location Pictured

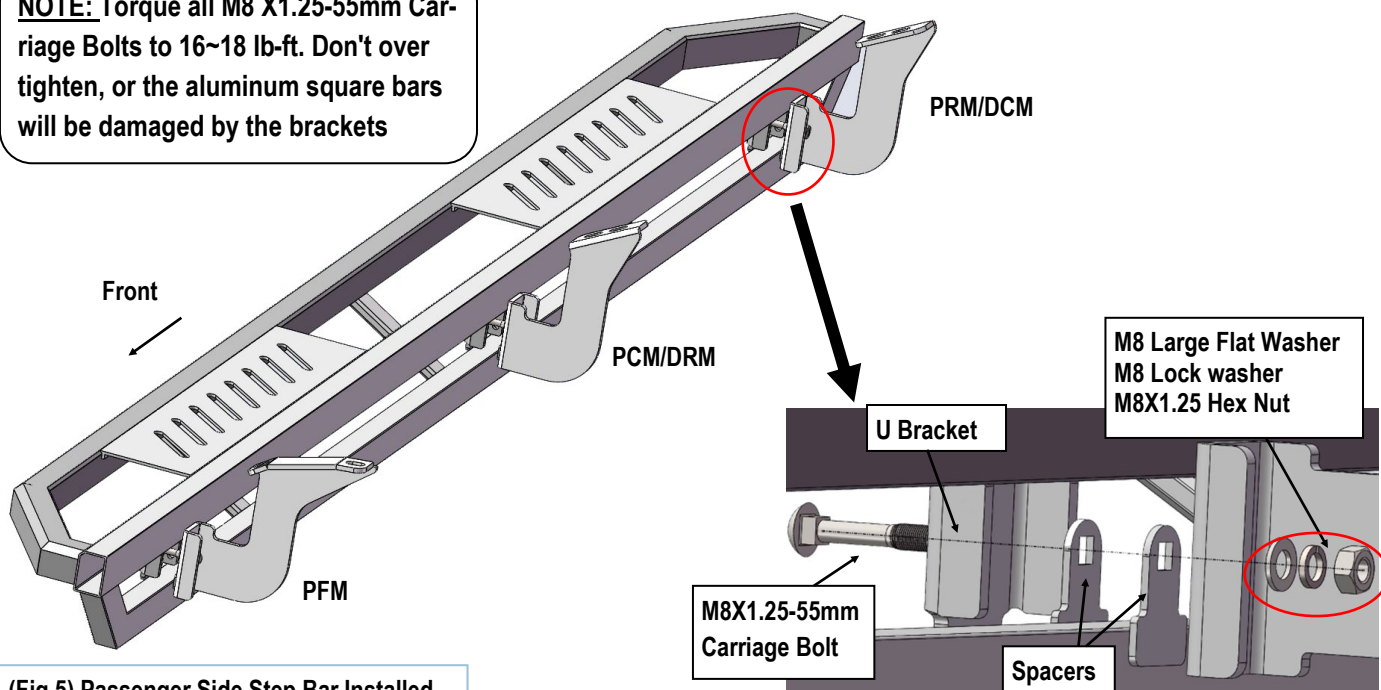


(Fig 4) Passenger Center/ Rear Mounting Bracket Installation

## STEP 4

Once all (3) passenger side mounting brackets are installed, select and attach the Passenger Side Step Bar onto the Mounting Brackets with (3) U Brackets, (6) Spacers, (3) M8X1.25-55mm Carriage Bolts, (3) M8 Large Flat Washers, (3) M8 Lock Washers and (3) M8X1.25 Hex Nuts (Fig 5). Do not fully tighten hardware at this time.

**NOTE:** Torque all M8 X1.25-55mm Carriage Bolts to 16~18 lb-ft. Don't over tighten, or the aluminum square bars will be damaged by the brackets



(Fig 5) Passenger Side Step Bar Installed

# iArmor®

## STEP 5

Properly level and adjust the Step Bar and fully tighten all hardware.

## STEP 6

Move to the driver side of the vehicle. Repeat **Steps 1-5** to install driver side step bar.

Installation completed.

### Attention

**Do periodic inspections to the installation to make sure that all hardware is secure and tight.**

**In order to protect your bars/boards, please use only mild soap/non-abrasive products for cleaning.**