

iBoard®

iBoard® by APS

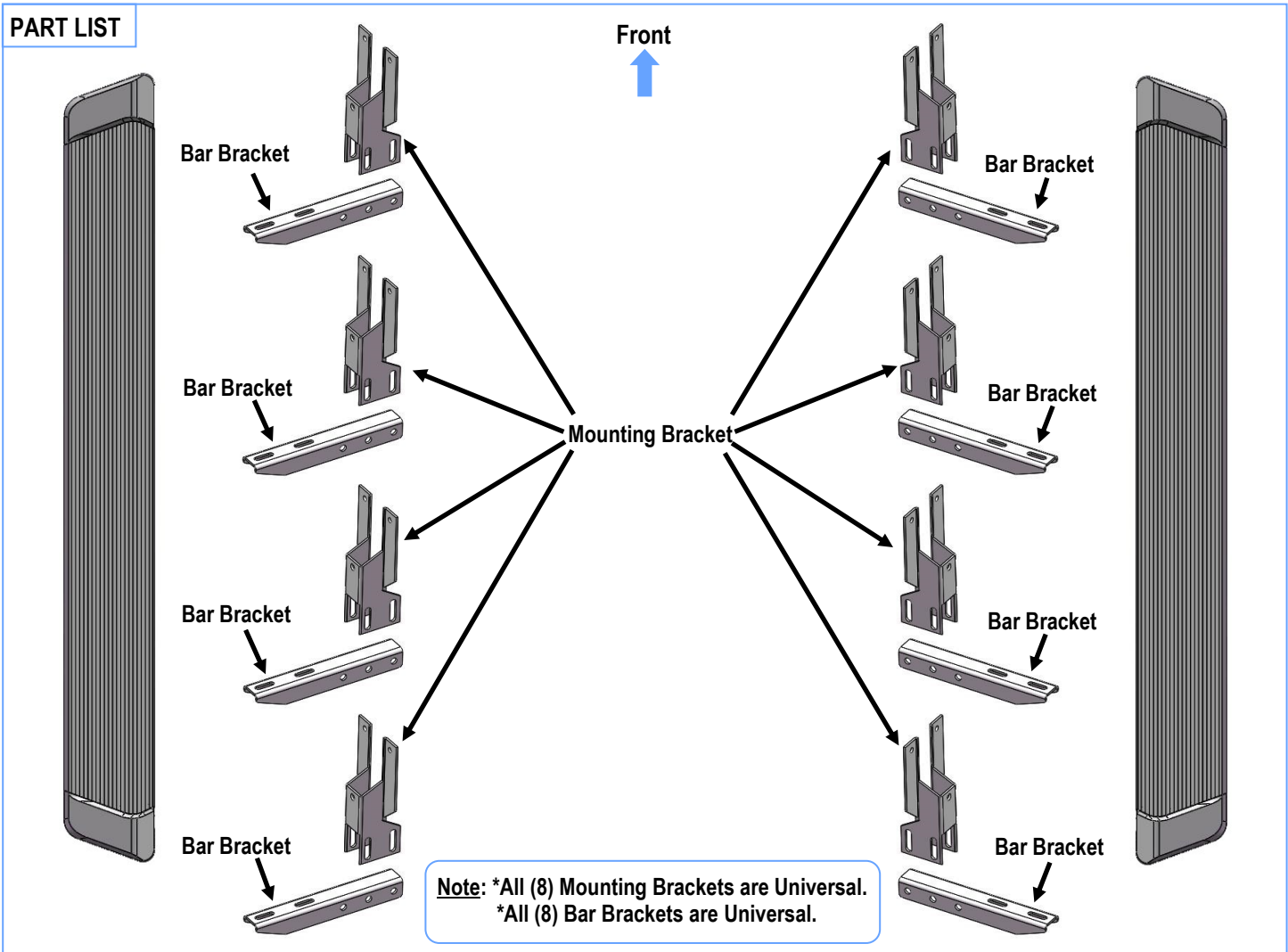
PART#: IB-R911

READ INSTRUCTIONS CAREFULLY BEFORE STARTING INSTALLATION. REMOVE CONTENTS FROM BOX AND VERIFY ALL PARTS ARE PRESENT. ASSISTANCE IS RECOMMENDED.

*ROCKER PANEL MOUNT
*DRILLING IS REQUIRED

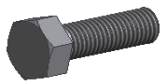
Fastener Size	Tightening Torque (ft-lbs)	Required
6mm	6-7	√
8mm	16-18	√
10mm	31-32	X
12mm	56-58	X
14mm	92-94	X

PART LIST



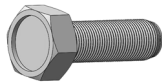
Customer Support: info@iboardauto.com

iBoard®



X40

M8X1.25-20mm
Hex Bolt



X16

ST6.3-22 Hex Self Tapping
Screw



X16

M8 Flat Washer



X32

M8 Large Flat
Washer



X8

M8X1.25 Nylon
Lock Nut



X32

M8X1.25 Hex
Flange Nut



X16

M6X1-20mm Square
Head Bolt



X16

M6 Large Flat
Washer

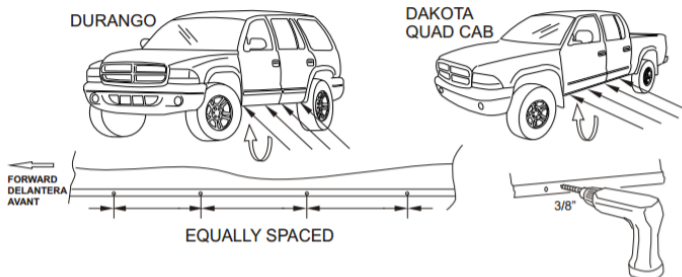


X16

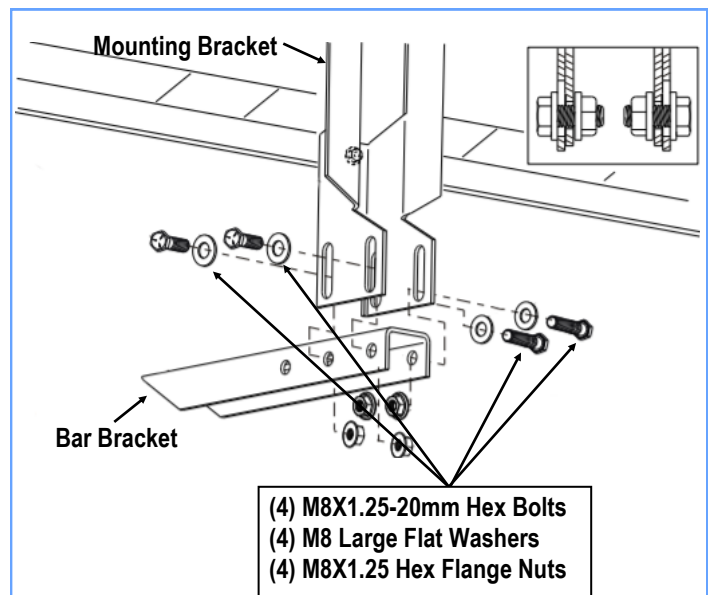
M6X1 Nylon
Lock Nut

STEP 1

Starting under the Driver side of the vehicle. Drill (4) M8 holes in pinch weld as shown, (Fig 1).



(Fig 1) Driver Side Mounting Locations



(Fig 2) Driver Side Brackets Assembly

STEP 2

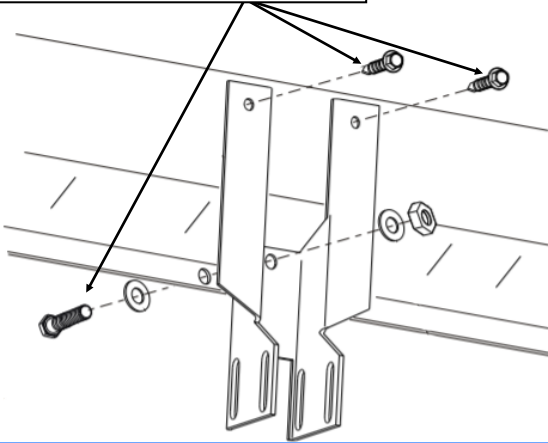
Assemble Mounting Bracket and Bar Bracket with (4) M8X1.25-20mm Hex Bolts, (4) M8 Large Flat Washers and (4) M8X1.25 Hex Flange Nuts, (Figs 2 & 4). Do not fully tighten hardware at this time.

STEP 3

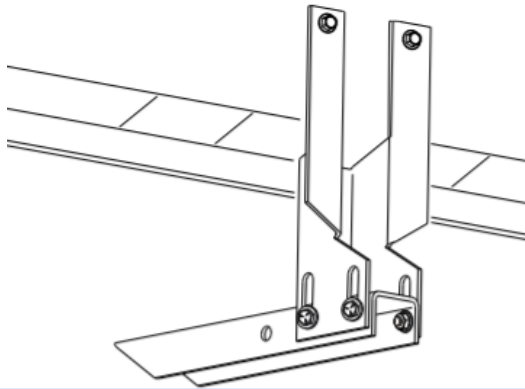
Attach the assembled Brackets to the vehicle with (2) ST6.3-22 Hex Self Tapping Screws, (1) M8X1.25-20mm Hex Bolt, (2) M8 Flat Washers and (1) M8X1.25 Nylon Lock Nut, (Figs 3 & 4). Do not fully tighten hardware at this time.

iBoard®

- (2) ST6.3-22 Hex Self Tapping Screws
- (1) M8X1.25-20mm Hex Bolt
- (2) M8 Flat Washers
- (1) M8X1.25 Nylon Lock Nut



(Fig 3) Driver Side Mounting Bracket Installation



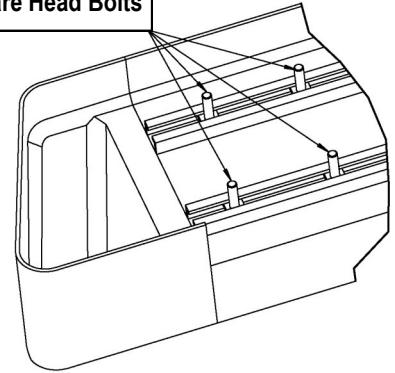
(Fig 4) Driver Side Mounting Bracket Installation

STEP 4

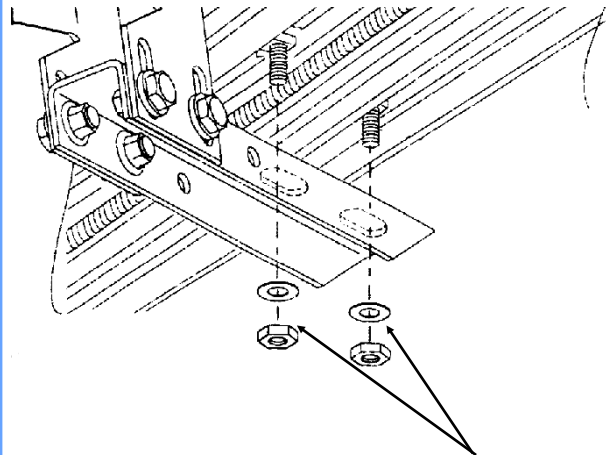
Select a Running Board. Slip (4) M6x1-20mm Square Head Bolts into each bottom channel (Fig 5). Carefully position the Running Board onto the (4) Mounting Brackets.

IMPORTANT: Do not slide the Running Board on the Brackets or the bottom surface of the board will be damaged. Attach the Running Board to Mounting Bracket with (2) M6x1-20mm Square Head Bolts, (2) M6 Large Flat Washers and (2) M6 X1 Nylon Lock Nuts (Fig 6). Do not fully tighten at this time.

- M6X1-20mm Square Head Bolts



(Fig 5) Slip M6X1-20mm Square Head Bolts Into The Bottom Channels



- (2) M6X1-20mm Square Head Bolts
- (2) M6 Large Flat Washers
- (2) M6x1 Nylon Lock Nuts

(Fig 6) Running Board Installed Onto Mounting Bracket

STEP 5

Level and adjust the Running Board and fully tighten all hardware.

Important: Please follow the recommended Tightening Torques shown in the table on page 1. Don't over tighten, or the nuts/bolts will be damaged.

iBoard®

STEP 6

Repeat **Steps 1-5** for the other side Running Board installation.
The installation is completed.

Attention

Do periodic inspections to the installation to make sure that all hardware is secure and tight.

In order to protect your bars/boards, please use only mild soap/non-abrasive products for cleaning.