

# iBoard<sup>®</sup>

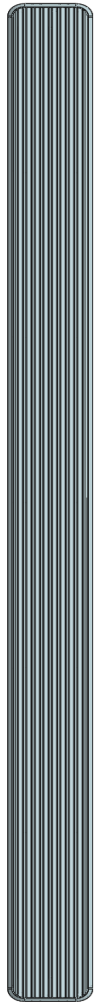
## iBoard<sup>®</sup> by APS

PART#: IB-009

READ INSTRUCTIONS CAREFULLY BEFORE STARTING INSTALLATION. REMOVE CONTENTS FROM BOX AND VERIFY ALL PARTS ARE PRESENT. ASSISTANCE IS RECOMMENDED.

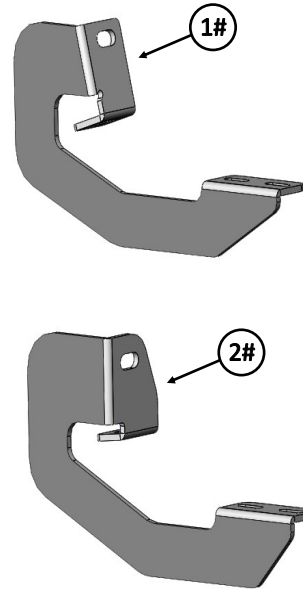
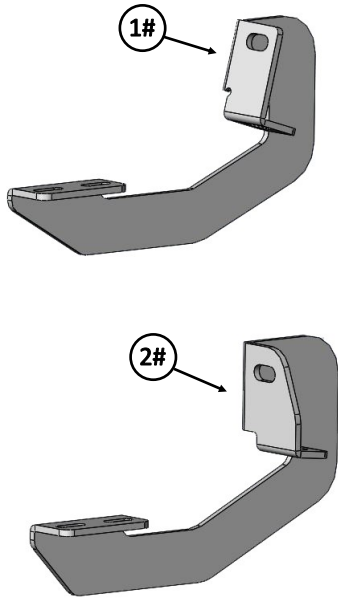
\*ROCKER PANEL MOUNT  
\*NO DRILLING REQUIRED

Fastener Size	Tightening Torque (ft-lbs)	Required
6mm	6-7	√
8mm	16-18	√
10mm	31-32	X
12mm	56-58	X
14mm	92-94	X



Driver Side Step Bar

Front  
↑

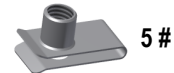
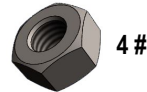


Passenger Side Step Bar

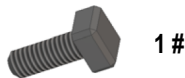
# iBoard®

Mounting Bracket List					
Item	QTY	Description	Item	QTY	Description
1#	2	Driver / Passenger Front Mounting Brackets	2#	2	Driver / Passenger Rear Mounting Brackets

Hardware Package A (For Bracket Installation)					
Item	QTY	Description	Item	QTY	Description
1#	8	M8X1.25-30mm Hex Bolts	4#	4	M8X1.25 Hex Nuts
2#	12	M8 Flat Washers	5#	4	M8 Clip Nuts
3#	8	M8 Lock Washers			



Hardware Package B (For Aluminum Step Bar Installation Only, Not Supply to SS. Step Bar)					
Item	QTY	Description	Item	QTY	Description
1#	8	M6X1-20mm Square Head Bolts	3#	8	M6X1 Nylon Lock Nuts
2#	8	M6 Large Flat Washers			



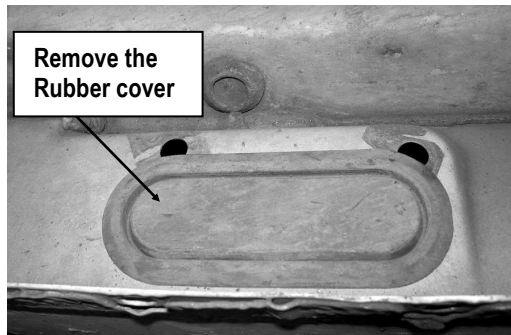
Hardware Package C (For Stainless Steel Step Bar Installation Only, Not Supply to Aluminum Step Bar)					
Item	QTY	Description	Item	QTY	Description
1#	8	M6X1-20mm Hex Bolts	3#	8	M6 Flat Washers
2#	8	M6 Lock Washers			



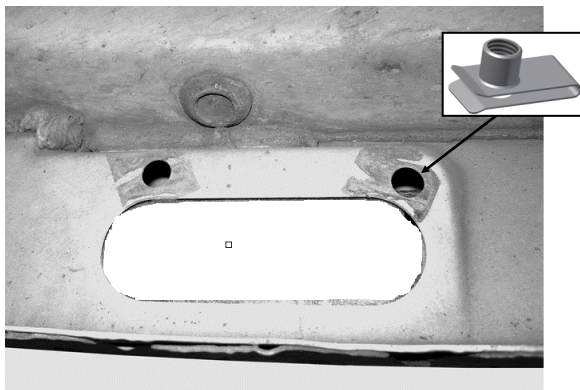
# iBoard®

## STEP 1

Start installation under the Driver Side Front Mounting Location. Remove the large oval rubber cover located on the inner side panel toward the front, **(Fig 1)**. Insert (1) M8 Clip Nut into the round hole **(Fig 2)**. **NOTE:** Threaded nut must go towards the inside of the side panel.



(Fig 1) Driver Side Front Mounting Location



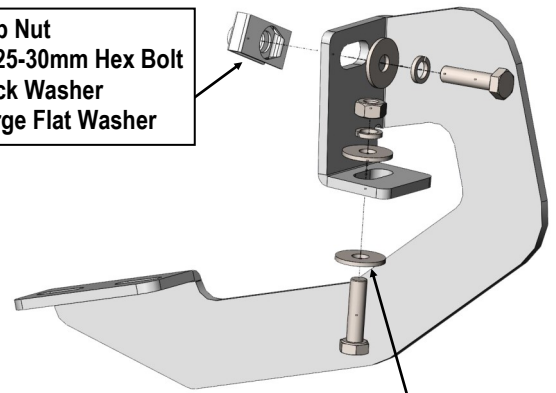
(Fig 2) Insert M8 Clip Nut into the Round Hole

## STEP 2

Select (1) Driver Front Mounting Bracket. Attach the Bracket to the installed M8 Clip Nut with the included (1) M8X1.25-30mm Hex Bolt, (1) M8 Lock Washer and (1) M8 Large Flat Washer, **(Fig 3)**. Align the bottom holes in the front Bracket with the (1) hole in the pinch weld. Bolt the Bracket to the pinch weld using the included (1) M8X1.25-30mm Hex Bolt, (2) M8 Large Flat Washers, (1) M8X1.25 Lock Washer and (1) M8 Hex Nut, **(Fig 3)**.

**NOTE:** Insert the bolt up from the bottom of the pinch weld and through the Bracket.

- (1) M8 Clip Nut
- (1) M8X1.25-30mm Hex Bolt
- (1) M8 Lock Washer
- (1) M8 Large Flat Washer



- (1) M8x1.25-25mm Hex Bolt
- (2) M8 Large Flat Washers
- (1) M8 Lock Washer
- (1) M8X1.25 Hex Nut

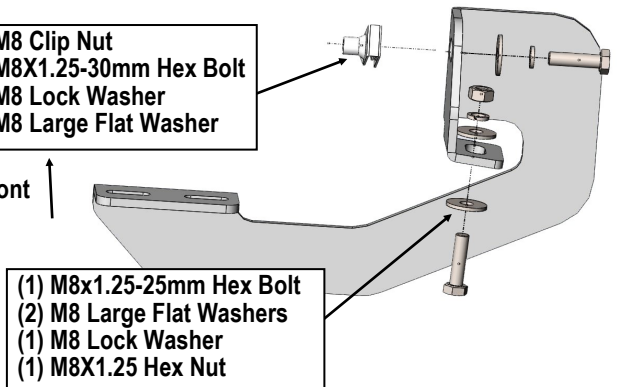
(Fig 3) Driver Front Mounting Bracket Installed

## STEP 3

Next, move along the vehicle to the Driver Side Rear Mounting Location, select a Driver Rear Mounting Bracket, repeat **Steps 1-2** to install the rear bracket. Do not fully tighten hardware at this time.

- (1) M8 Clip Nut
- (1) M8X1.25-30mm Hex Bolt
- (1) M8 Lock Washer
- (1) M8 Large Flat Washer

Front ↑



- (1) M8x1.25-25mm Hex Bolt
- (2) M8 Large Flat Washers
- (1) M8 Lock Washer
- (1) M8X1.25 Hex Nut

(Fig 4) Driver Rear Mounting Bracket Installed

# iBoard®

## STEP 4

Once all (2) mounting brackets are installed, then proceed to the Step Bar installation. According to the style of Step Bar proceed to the correct installation STEPS.

**Note:** Aluminum Step Bar refer to STEP 5; Stainless Steel Step Bar skip to STEP 6.

## STEP 5

### **Aluminum Step Bar Installation:**

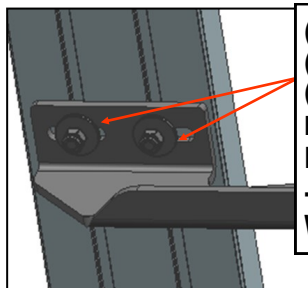
Select a **Aluminum Step Bar**. Slip (2) M6x1-20mm Square Head Bolts into each bottom channel (**Fig 5**). Carefully position the Step Bar onto the (2) Mounting Brackets.

**IMPORTANT:** Do not slide the Step Bar on the Brackets or the bottom surface of the board will be damaged. Attach the Step Bar to each Mounting Brackets with (2) M6x1-20mm Square Head Bolts, (2) M6 Large Flat Washers and (2) M6X1 Nylon Lock Nuts, (**Fig 6**). Do not fully tighten at this time.

Level and adjust the Step Bar and fully tighten all hardware. Repeat **Steps 1-5** for the other side Step Bar installation. **The installation is completed!!!**



(Fig 5) Slip M6X1-20mm Square Head Bolts Into The Bottom Channels



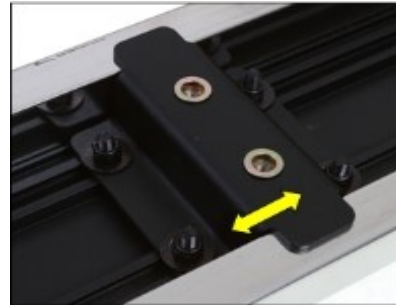
(2) M6X1-20mm Square Head Bolts  
(2) M6 Large Flat Washers  
(2) M6X1 Nylon Lock Nuts  
**IMPORTANT: TORQUE FOR 6MM FASTNERS MUST LESS THAN 6-7 FT-LBS OR THE FASTNERS WILL BE DAMAGED!**

(Fig 6) Running Board Installed Onto Mounting Bracket

## STEP 6

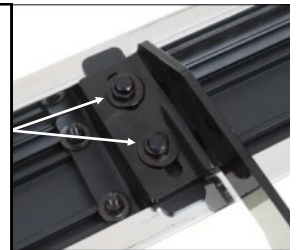
### **Stainless Steel Step Bar Installation:**

Select a **Stainless Steel Step Bar** (with the U-Sliders installed on the Bar). Loose the U-Sliders, reposition the U-Sliders onto the board according to the (2) Installed Mounting Brackets location, (**Fig 7**). Re-secure the U-Sliders on the Step Bar. Attach the Step Bar to the installed Mounting Brackets with (4) M6X1-20mm Hex Bolts, (4) M6 Large Flat Washers & (4) M6 Lock Washers, (**Fig 8**). Do not fully tighten hardware at this time. Level and adjust the Step Bar and fully tighten all hardware. Repeat **Steps 1-4 and 6** for the other side Step Bar installation. **The installation is completed!!!**



(Fig 7) Slide & line up the U-Slider with the installed mounting brackets along bottom channel

(2) M6X1-20mm Hex Bolts  
(2) M6 Large Flat Washers  
(2) M6 Lock Washers  
**IMPORTANT: TORQUE FOR 6MM FASTNERS MUST LESS THAN 6-7 FT-LBS OR THE FASTNERS WILL BE DAMAGED!**



(Fig 8) Step Bar Installed on Bracket Installed (Example)

### **Attention**

Do periodic inspections to the installation to make sure that all hardware is secure and tight.

In order to protect your bars/boards, please use only mild soap/non-abrasive products for cleaning.