

iBoard®

iBoard® by APS

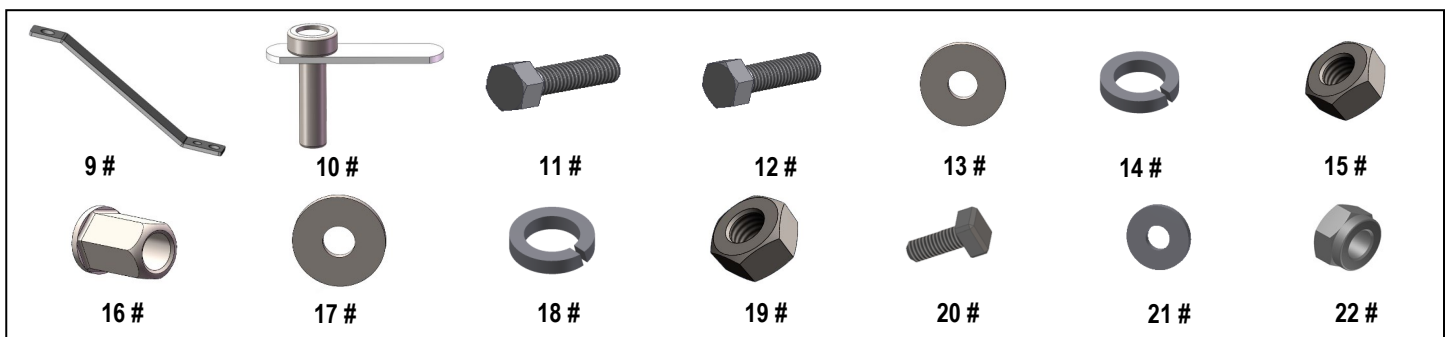
PART#: IB-R970

READ INSTRUCTIONS CAREFULLY BEFORE STARTING INSTALLATION. REMOVE CONTENTS FROM BOX AND VERIFY ALL PARTS ARE PRESENT. ASSISTANCE IS RECOMMENDED.

*ROCKER PANEL MOUNT
*NO DRILLING REQUIRED

Fastener Size	Tightening Torque (ft-lbs)	Required
6mm	6-7	√
8mm	16-18	√
10mm	31-32	√
12mm	56-58	X
14mm	92-94	X

Item	QTY	Description	Item	QTY	Description
1#	1	Driver Front Mounting Bracket	12#	12	M8X1.25-25mm Hex Bolts
2#	1	Passenger Front Mounting Bracket	13#	20	M8 Large Flat Washers
3#	1	Driver Front Support Bracket	14#	16	M8 Lock Washers
4#	1	Passenger Front Support Bracket	15#	4	M8 Hex Nuts
5#	1	Driver Center Mounting Bracket	16#	2	M8 Rivet Nuts
6#	1	Passenger Center Mounting Bracket	17#	2	M10 Large Flat Washers
7#	1	Driver Rear Mounting Bracket	18#	2	M10 Lock Washers
8#	1	Passenger Rear Mounting Bracket	19#	2	M10 Hex Nuts
9#	1	M8 Rivet Insert Installation Tool	20#	12	M6X1-20mm Square Head Bolts
10#	2	M10X40 Bolt Plates	21#	12	M6 Large Flat Washers
11#	4	M8X1.25-35mm Hex Bolts	22#	12	M6 Nylon Lock Nuts



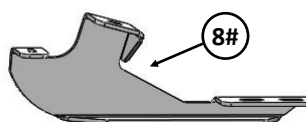
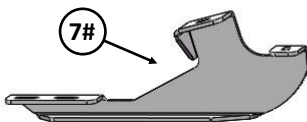
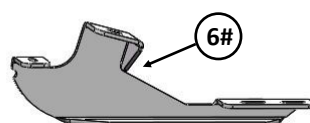
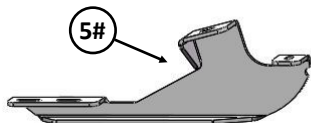
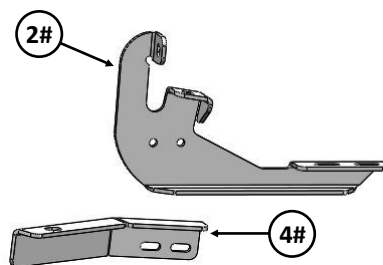
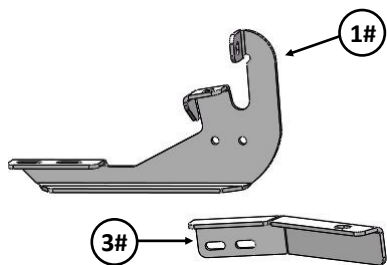
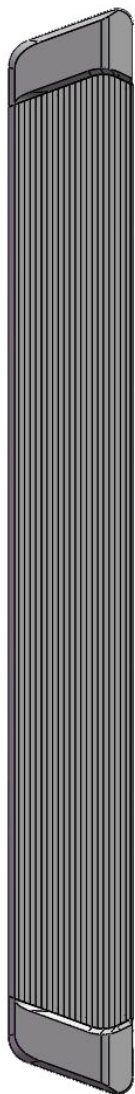
Customer Support: info@iboardauto.com

iBoard®

Driver

Front

Passenger

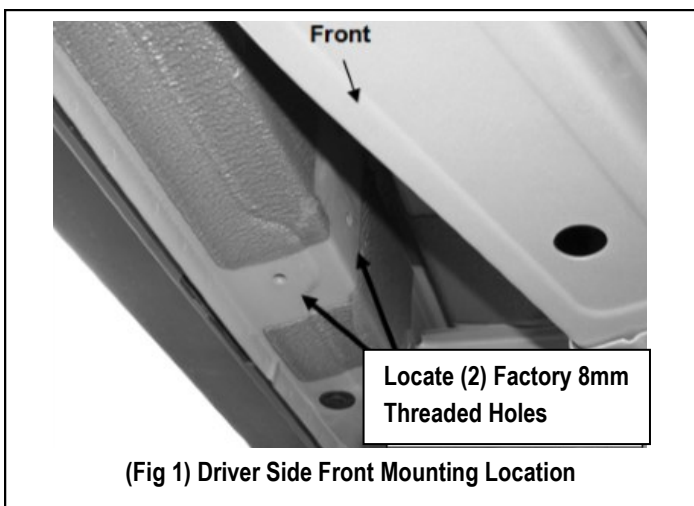


iBoard®

STEP 1

Starting on the driver side of the vehicle, locate the (2) factory 8mm threaded holes, one located in the bottom of the floor panel and the other one on the side of the inner body panel (**Fig 1**).

IMPORTANT: All factory threaded holes may be covered with rubber plugs or undercoating. Remove the undercoating from mounting surfaces.



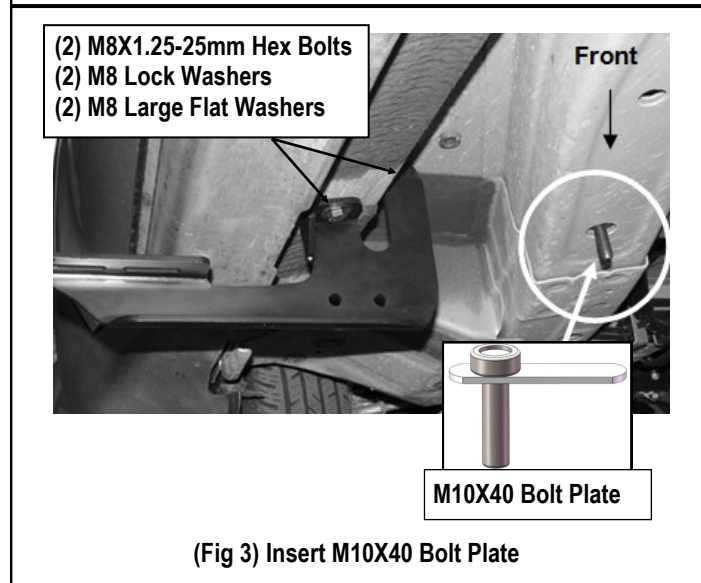
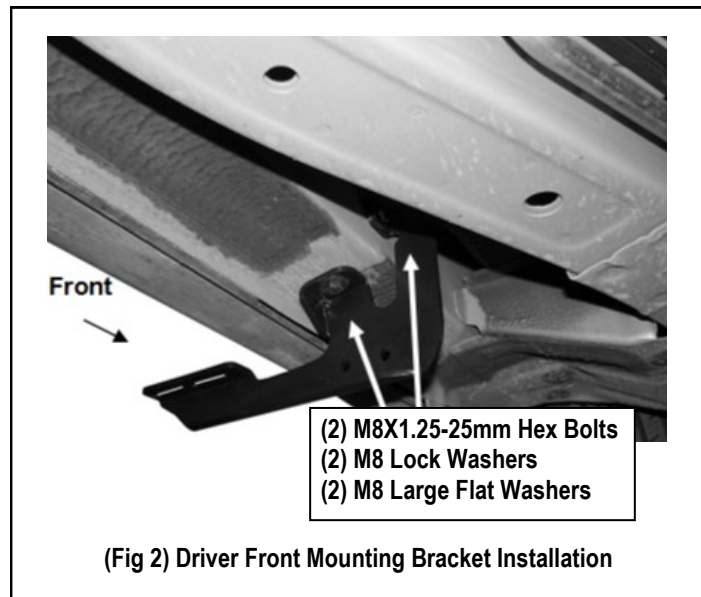
STEP 2

Select the Driver Front Mounting Bracket. Attach the Bracket to the (2) threaded holes using the provided (2) M8X1.25 -25mm Hex Bolts, (2) M8 Lock Washers and (2) M8 Large Flat Washers. Snug but do not tighten hardware at this time, (**Fig 2**).

STEP 3

Select (1) M10x40 Bolt Plate. Insert the Bolt Plate into the factory hole in the bottom of the frame channel, (**Fig 3**). Rotate the Bolt Plate clock-wise 90- degrees or until it stops turning.

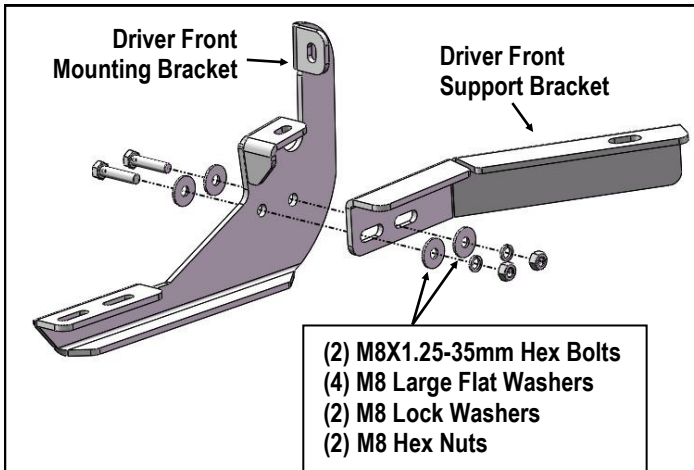
NOTE: To determine the correct mounting hole on the frame channel, suggest line up the Driver Front Support Bracket to the (2) holes on the Driver Front Mounting Bracket with the inner end lined up with the hole in the bottom of the frame channel, (**Fig 4**).



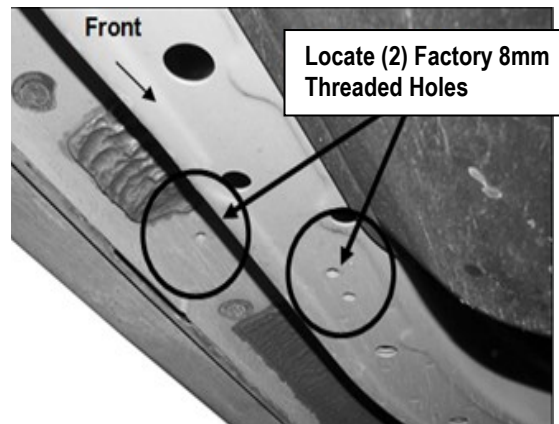
STEP 4

Bolt the Driver Front Support Bracket to the back of the Driver Front Mounting Bracket with (2) M8x1.25-35mm Hex Bolts, (4) M8 Large Flat Washers, (2) M8 Lock Washers and (2) M8 Hex Nuts, (**Figs 4 & 5**). Next, hang the inner end of the Driver Front Support Bracket from the previously installed M10X40 Bolt Plate using (1) M10 Large Flat Washer, (1) M10 Lock Washer and (1) M10 Hex Nut. Do not fully tighten hardware at this time.

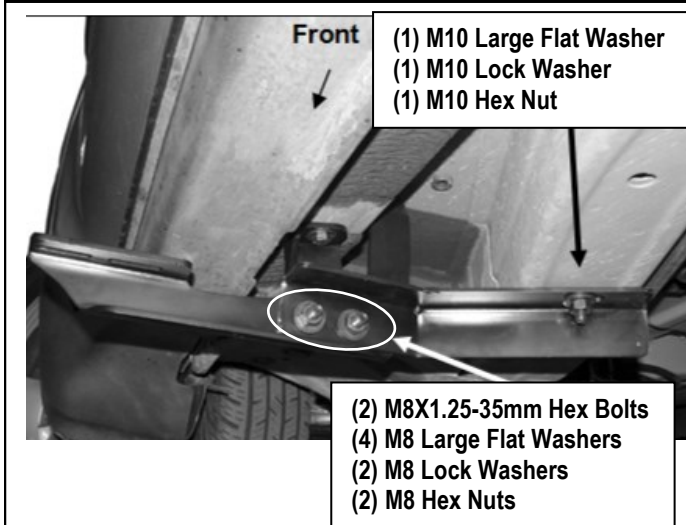
iBoard®



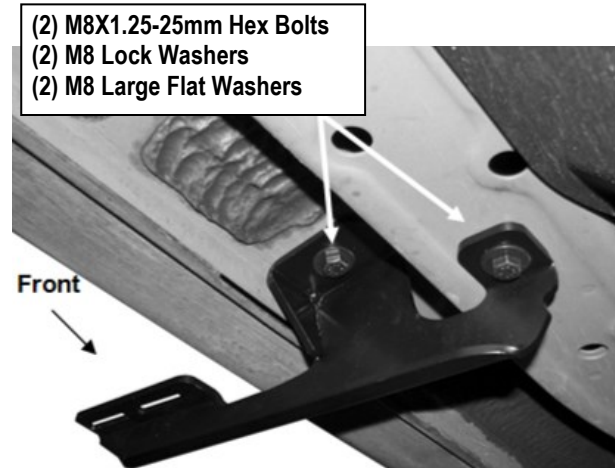
(Fig 4) Driver Side Front Brackets Assembly



(Fig 6) Driver Side Center Mounting Location



(Fig 5) Driver Front Support Bracket Installed



(Fig 7) Driver Center Mounting Bracket Installed

STEP 5

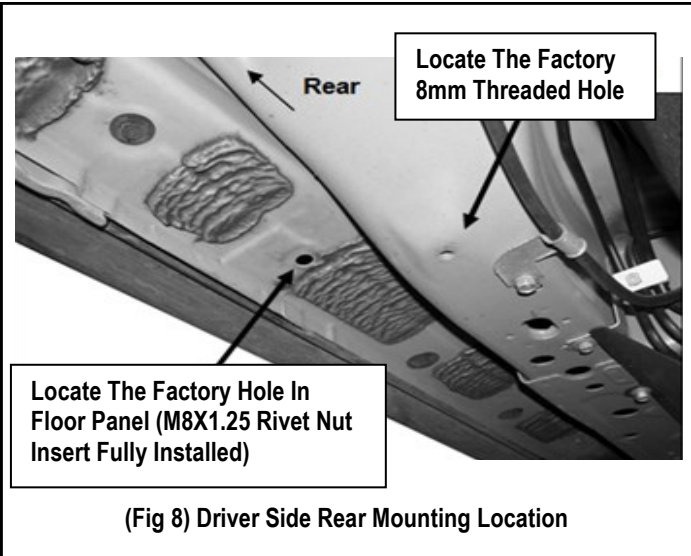
Move to the Driver Side Center Mounting Location, locate the (2) 8mm threaded holes on the bottom to the floor panel and bottom of the frame channel, (**Fig 6**). Select and attach the Driver Center Mounting Bracket to the (2) threaded holes using the provided (2) M8X1.25 -25mm Hex Bolts, (2) M8 Lock Washers and (2) M8 Large Flat Washers (**Fig 7**). Snug but do not tighten hardware at this time.

Note: Driver Center Mounting Bracket and Driver Rear Mounting Bracket are different, refer to **Page 2**.

STEP 6

Move to the Driver Side Rear Mounting location. Locate the 8mm threaded hole in the bottom of the frame channel and the factory hole in the bottom of floor panel (**Fig 8**). Remove rubber plugs as necessary. **NOTE:** To determine the correct mounting holes, suggest hold the Driver Rear Mounting Bracket up in position against the factory threaded hole in the end of the frame channel. The remaining hole in mounting tab on the bracket will line up with correct factory hole in floor panel.

iBoard®



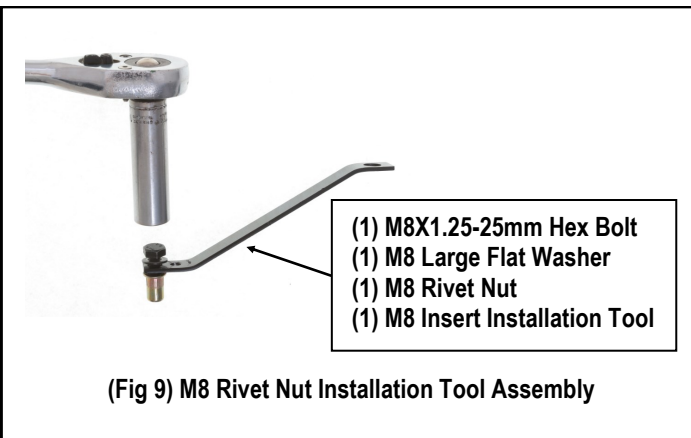
(Fig 8) Driver Side Rear Mounting Location

STEP 7

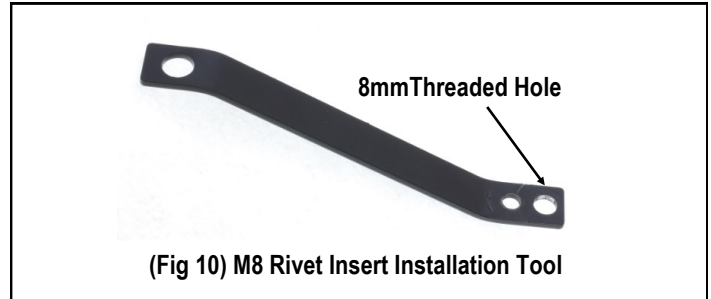
Select and assemble the M8 Rivet Insert Installation Tool, (1) M8 Rivet Nut, (1) M8 Large Flat Washer and (1) M8X1.25 - 25mm Hex Bolt, (Fig 9). **NOTE: Use the 8mm hole on M8 Rivet Nut Installation Tool (Fig 10).**

Insert the M8 Rivet Nut into the factory hole on floor panel. Firmly hold the tool handle and assembly up tight against the floor panel and tighten the M8X1.25-25mm Hex Bolt until the Rivet Nut is fully expanded in the hole, (Fig 11).

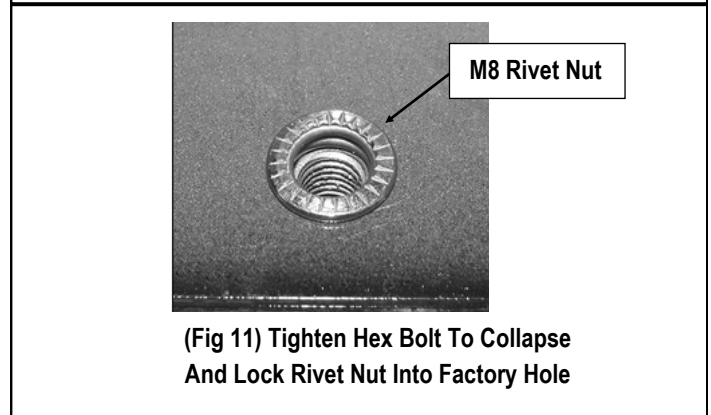
NOTE: Do not over tighten or a pull out may occur. Once Insert is fully compressed, remove the bolt and tool from the Insert.



(Fig 9) M8 Rivet Nut Installation Tool Assembly



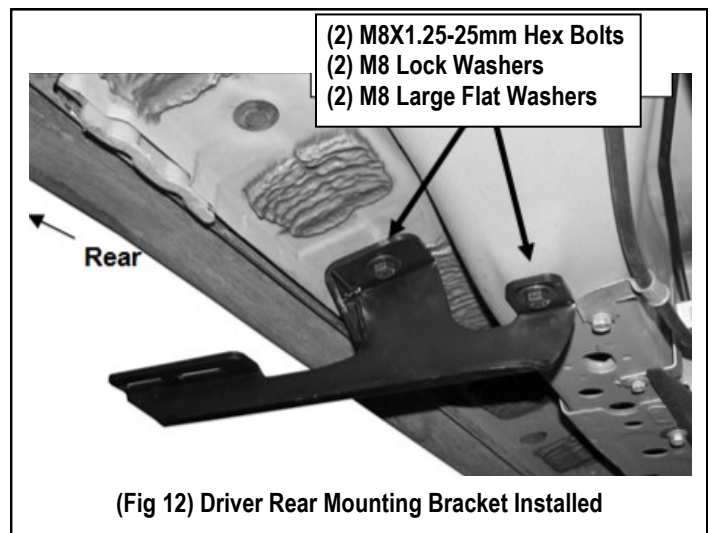
(Fig 10) M8 Rivet Insert Installation Tool



(Fig 11) Tighten Hex Bolt To Collapse And Lock Rivet Nut Into Factory Hole

STEP 8

Attach the Driver Rear Mounting Bracket to the factory 8mm threaded hole on the frame channel and the installed M8 Rivet Nut with (2) M8X1.25 - 25mm Hex Bolts, (2) M8 Lock Washers and (2) M8 Large Flat Washers, (Fig 12). Do not tighten hardware at this time.



(Fig 12) Driver Rear Mounting Bracket Installed

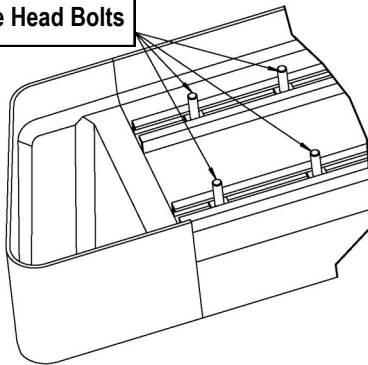
iBoard®

STEP 9

Select a Running Board. Slip (3) M6x1-20mm Square Head Bolts into each bottom channel (**Fig 13**). Carefully position the Running Board onto the (3) Mounting Brackets.

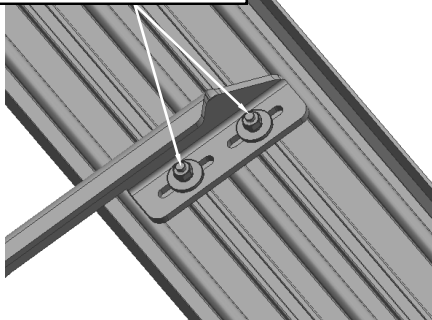
IMPORTANT: Do not slide the Running Board on the Brackets or the bottom surface of the board will be damaged. Attach the Running Board to each Mounting Bracket with (2) M6x1-20mm Square Head Bolts, (2) M6 Large Flat Washers and (2) M6 Nylon Lock Nuts (**Fig 14**). Do not fully tighten at this time.

M6X1-20mm Square Head Bolts



(Fig 13) Slip M6X1-20mm Square Head Bolts Into The Bottom Channels

(2) M6X1-20mm Square Head Bolts
(2) M6 Large Flat Washers
(2) M6 Nylon Lock Nuts



(Fig 14) Running Board Installed Onto Mounting Bracket

STEP 10

Level and adjust the Running Board and fully tighten all hardware.

Important: Please follow the recommended Tightening Torques shown in the table on page 1. Don't over tighten, or the nuts/bolts will be damaged.

STEP 11

Repeat **Steps 1-10** for the other side Running Board installation. The installation is completed .

Attention

Do periodic inspections to the installation to make sure that all hardware is secure and tight.

In order to protect your bars/boards, please use only mild soap/non-abrasive products for cleaning.