

iBoard®

iBoard® by APS

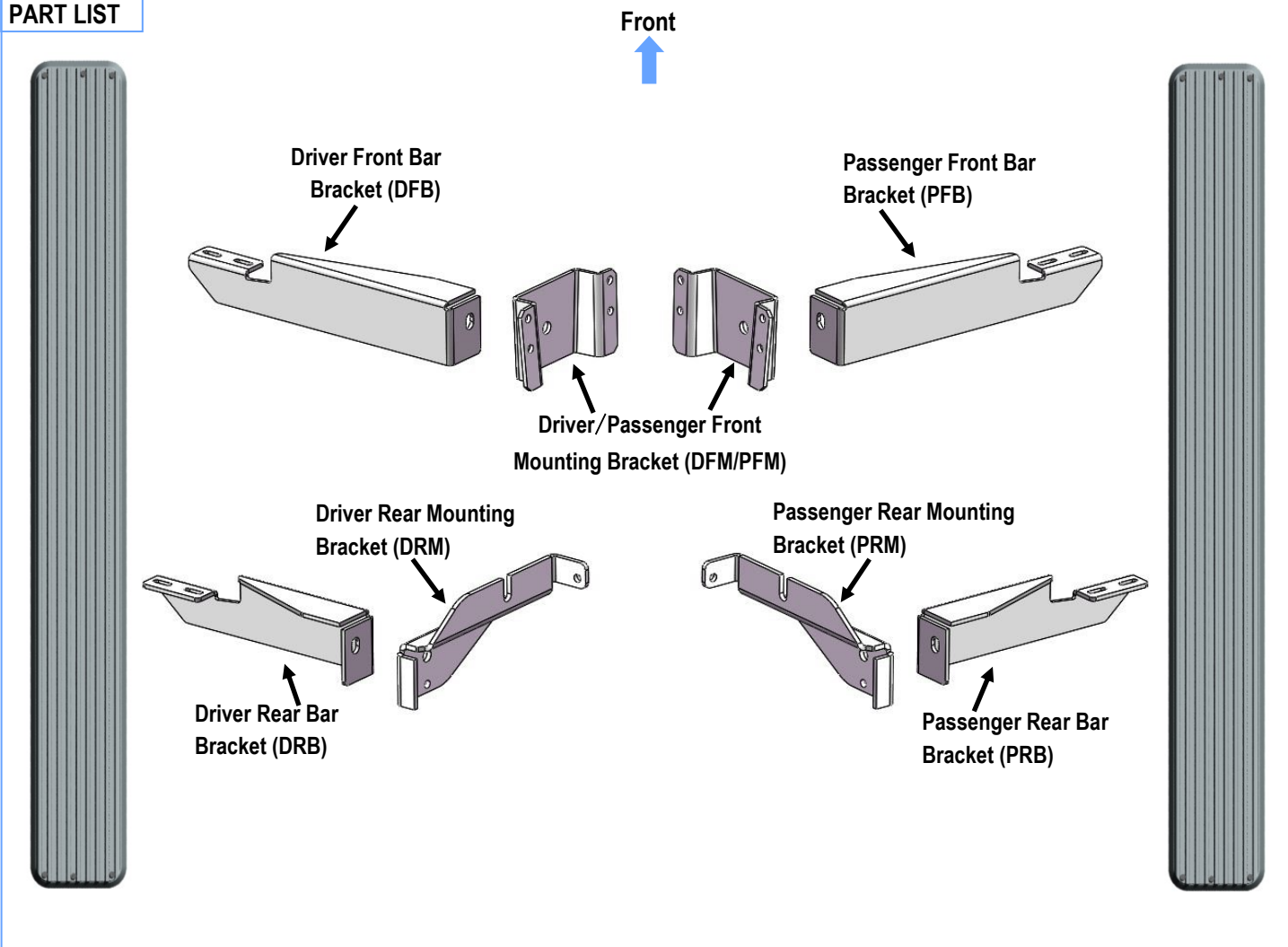
PART#: IB-217

READ INSTRUCTIONS CAREFULLY BEFORE STARTING INSTALLATION. REMOVE CONTENTS FROM BOX AND VERIFY ALL PARTS ARE PRESENT. ASSISTANCE IS RECOMMENDED.

*BODY FRAME MOUNT
*DRILLING IS REQUIRED

Fastener Size	Tightening Torque (ft-lbs)	Required
6mm	6-7	√
8mm	16-18	X
10mm	31-32	√
12mm	56-58	√
14mm	92-94	X

PART LIST



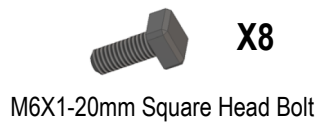
Customer Support: info@iboardauto.com

iBoard®

Hardware Package A (For Bracket Installation)



Hardware Package B (For Aluminum Step Bar Installation Only, Not Supply to Stainless Steel Step Bar)



Hardware Package C (For Stainless Steel Step Bar Installation Only, Not Supply to Aluminum Step Bar)



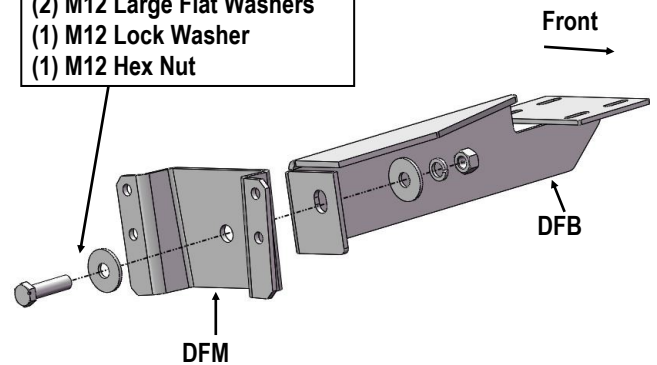
STEP 1

Start installation from the driver side of the vehicle.

Select the Driver Front Mounting Bracket (**DFM**) and the Driver Front Bar Bracket (**DFB**). Assemble with the included (1) M12X1.75-40mm Hex Bolt, (2) M12 Large Flat Washer, (1) M12 Lock Washer and (1) M12 Hex Nut, (**Fig 1**). Do not fully tighten hardware at this time.

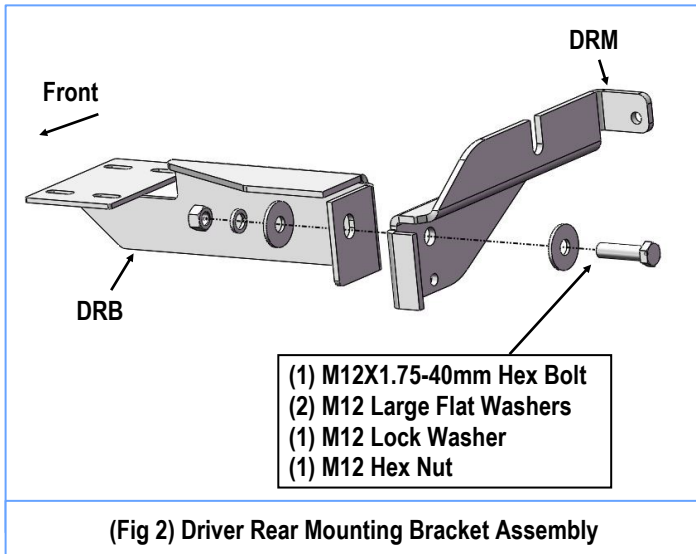
Repeat to assemble Driver Side Rear Mounting Brackets, (**Fig 2**).

- (1) M12X1.75-40mm Hex Bolt
- (2) M12 Large Flat Washers
- (1) M12 Lock Washer
- (1) M12 Hex Nut

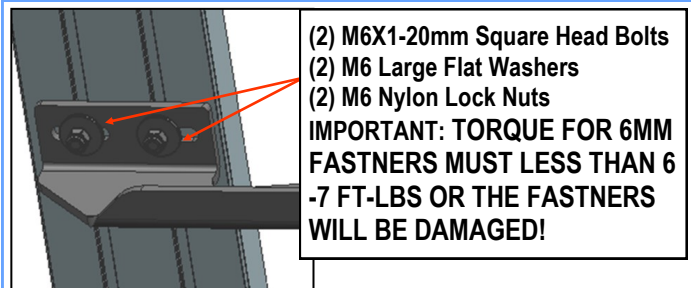


(Fig 1) Driver Front Mounting Bracket Assembly

iBoard®



(Fig 3) Slip M6X1-20mm Square Head Bolts Into The Bottom Channels



(Fig 4) Running Board Installed Onto Mounting Bracket

STEP 2

Once all (2) mounting brackets are installed, then proceed to the Step Bar installation. According to the style of Step Bar proceed to the correct installation STEPS.

Note: Aluminum Step Bar refer to STEP 3; Stainless Steel Step Bar skip to STEP 4.

STEP 3

Aluminum Step Bar Installation:

Select a **Aluminum Step Bar**. Slip (2) M6x1-20mm Square Head Bolts into each bottom channel (Fig 3). Carefully position the Step Bar onto the (2) Mounting Brackets.

IMPORTANT: Do not slide the Step Bar on the Brackets or the bottom surface of the board will be damaged. Attach the Step Bar to each Mounting Brackets with (2) M6x1-20mm Square Head Bolts, (2) M6 Large Flat Washers and (2) M6 Nylon Lock Nuts, (Fig 4). Do not fully tighten at this time.

Level and adjust the Step Bar. The spacing between the front and rear brackets is about 1430mm.

STEP 4

Stainless Steel Step Bar Installation:

Select a **Stainless Steel Step Bar** (with the U-Sliders installed on the Bar). Loose the U-Sliders, reposition the U-Sliders onto the board according to the (2) Installed Mounting Brackets location, (Fig 5). Re-secure the U-Sliders on the Step Bar. Attach the Step Bar to the installed Mounting Brackets with (4) M6X1-20mm Hex Bolts, (4) M6 Large Flat Washers & (4) M6 Lock Washers, (Fig 6). Do not fully tighten hardware at this time.

Level and adjust the Step Bar.

The spacing between the front and rear brackets is about 1430mm.

iBoard®



(Fig 5) Slide & line up the U-Slider with the installed mounting brackets along bottom channel

(2) M6X1-20mm Hex Bolts
 (2) M6 Large Flat Washers
 (2) M6 Lock Washers
IMPORTANT: TORQUE FOR 6MM FASTENERS MUST LESS THAN 6-7 FT-LBS OR THE FASTENERS WILL BE DAMAGED!



(Fig 6) Step Bar Installed on Bracket Installed (Example)

STEP 5

Place the side step assembly on to the vehicle frame. Slid the Mounting Bracket on the shackle bolt (**NOTE: DO NOT RE-**

MOVE THIS BOLT) on the frame, until the step bar on the proper position, and tighten the shackle bolt and other M12 bolts until the rear mounting bracket is held in place, (**Fig 7**).

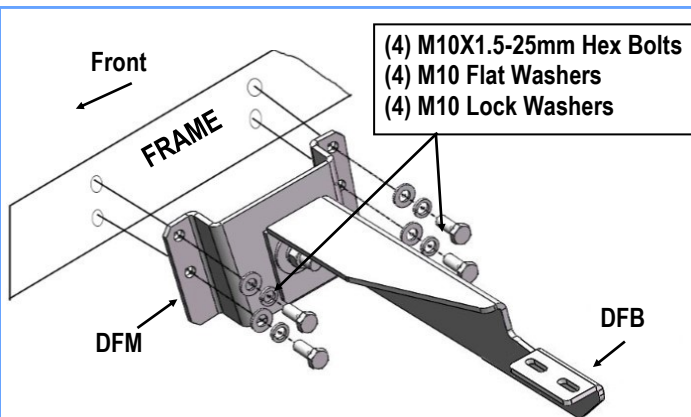
Hold up the front end of the Step Bar assembly. Make sure the Step Bar is properly aligned with the vehicle body and level, and then mark the mounting holes on the vehicle frame.

Drill holes on the vehicle frame according to the marks using the 8.5mm drill bit. **NOTE:** On some models it may be necessary to locate the front mounting bracket at an angle to keep away from the OEM holes on the frame, (**Fig 7**).

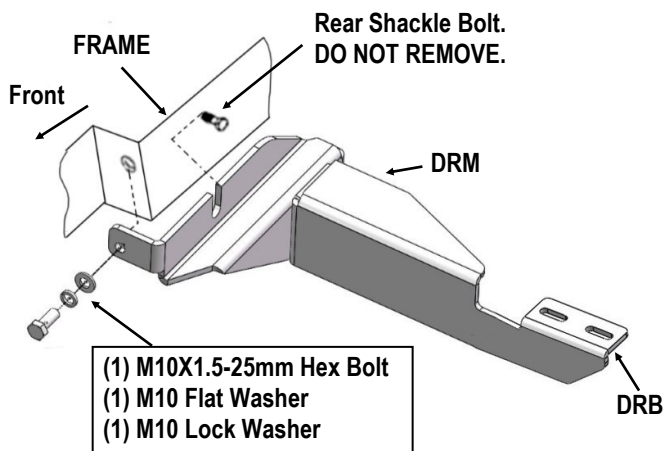
STEP 6

Tap (4) 10mm threads on to the drilled holes with the supplied 10mm Hand Screw Tap.

Secure the Driver Front Mounting Bracket to the threads holes (which were taped on **Step 7**) on the frame, using (4) M10X1.5-25mm Hex Bolts, (4) M10 Lock Washers and (4) M10 Flat Washers. Secure the Driver Rear Mounting Bracket with (1) M10X1.5-25mm Hex Bolt, (1) M10 Lock Washer and (1) M10 Flat Washer, (**Fig 7**). Do not fully tighten at this time.



(Fig 7) Running Board Installed Onto the Mounting Bracket



iBoard®

STEP 7

Level and adjust the Running Board and fully tighten all hardware.

STEP 8

Repeat **Steps 1-7** for other side Running Board installation.
The installation is completed.

Attention

Do periodic inspections to the installation to make sure that all hardware is secure and tight.

In order to protect your bars/boards, please use only mild soap/non-abrasive products for cleaning.