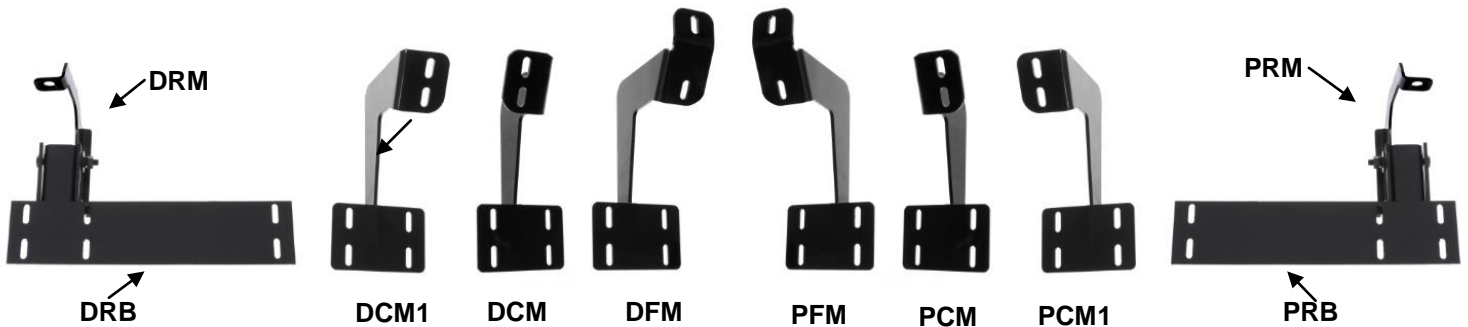
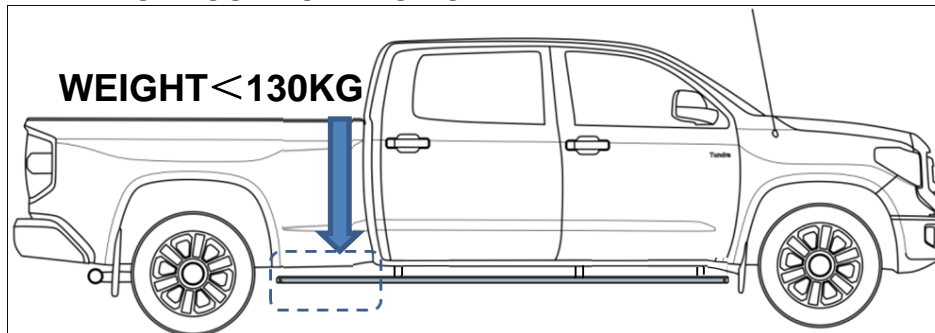


**PARTS LIST:**

Item	QTY	Description	Item	QTY	Description
#1	2	Running Board(use for left or right)	#13	2	M10 x 35mm Bolt Plates
#2	1	Driver/Left Front Mounting Bracket(DFM)	#14	12	10mm x 30mm x 2.5mm Flat Washers
#3	1	Passenger/Right Front Mounting Bracket(PFM)	#15	6	M10 Lock Washers
#4	1	Driver/Left Center Mounting Bracket(DCM)	#16	6	M10 Hex Nuts (GOLDEN)
#5	1	Passenger/Right Center Mounting Bracket(PCM)	#17	4	M10X1.5 - 80 Hex Bolts
#6	1	Driver/Left Rear Mounting Bracket(DCM1)	#18	12	M8X1.25 - 30 Hex Bolts
#7	1	Passenger/Right Rear Mounting Bracket(PCM1)	#19	12	M8 Lock Washers
#8	1	Driver Rear Upper Mounting Bracket(DRM)	#20	12	8mm x 24mm OD x 2mm Flat Washers
#9	1	Passenger Rear Upper Mounting Bracket(PRM)	#21	36	M6X1.0 - 20mm T-Bolts
#10	1	Driver Rear Lower Mounting Bracket(DRB)	#22	36	M6 Flat Washers
#11	1	Passenger Rear Lower Mounting Bracket(PRB)	#23	36	M6 Nylon Lock Nuts
#12	2	10mm Plastic Retainers			



**IMPORTANT ALERT: FOR WHEEL TO WHEEL APPLICATION, WEIGHT TO THE REAR END AREA OF THE RUNNING BOARD BEHIND THE LAST BRACKET NEED TO LESS THEN 130KG.OVERWEIGHT IN THIS AREA MAYBE DAMAGE YOUR RUNNING BOARD.**



**PROCEDURE:**

- 1. REMOVE CONTENTS FROM BOX. VERIFY ALL PARTS ARE PRESENT. READ INSTRUCTIONS CAREFULLY BEFORE STARTING INSTALLATION. DRILLING MAY BE REQUIRED.**
- Starting on the driver side front of the vehicle, remove the existing (2) factory bolts, (or plastic plugs), on the side panel located by the front tire opening, **(Figure 1)**. This will be the mounting location for the driver side front Mounting Bracket.
- Select the driver side Front Bracket, **(Figure 2)**. Attach the Bracket to the vehicle using the included (2) 8mm x 30mm Hex Bolts, (2) 8mm Lock Washers and (2) 8mm Flat Washers, **(Figure 3)**. Do not tighten hardware at this time.
- Move along the side panel to the next mounting location closest to the front Bracket, **(Figure 4)**. Repeat **Step 2 & 3** to install the driver side Center Bracket, **(Figures 5 & 6)**.
- Next, move to the last mounting location at the back of the cab. Select the driver side Rear Bracket, **(Figure 7)**. Repeat **Steps 2 & 3** to install the rear Bracket, **(Figure 8)**. **IMPORTANT:** There are (4)

mounting locations along the side of the vehicle. Installation will use the 1st, 2nd and 4th mounting locations only.

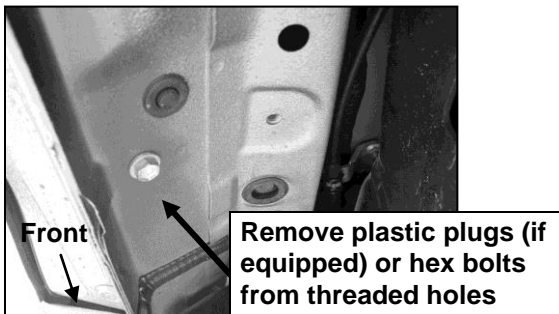
6. Move to the very end of the cab. Locate and remove the rubber plug in the side of the inner body panel, **(Figure 9)**. Select (1) 10mm Bolt Plate and (1) Plastic Retainer, **(Figure 10B)**. Insert the Bolt Plate into the hole and thread the Plastic Retainer down onto the Bolt Plate until it is tight against the body panel, **(Figure 10A)**. **NOTE:** The Plastic Retainer is designed to prevent the Bolt Plate from falling into the body panel and to aid Support Bracket installation. Select (1) 10mm x 27mm Thick Flat Spacer Washer and slide it onto the threaded end of the Bolt Plate over the Retainer, **(Figure 10A)**. Next, secure the driver side Rear Support Bracket to the Bolt Plate with (1) 10mm x 30mm x 2.5mm Flat Washer, (1) 10mm Lock Washer and (1) 10mm Hex Nut(GOLDEN), **(Figure 11)**. Snug but do not fully tighten hardware at this time.
7. Select the driver rear lower bracket, bolt to the upper bracket with (2)10mmx80mm Hex bolts,(2)10mm lock washers,(4)10mm flat washers and (2)10mm Hex Nuts (BLACK) . **(Figure 12)** .Do not tighten hardware at this time.
8. Select the Running Board. Slip (18) M6 T-Bolts into each bottom channel **(Figure 13)**. Carefully position the Running Board onto the (4) Mounting Brackets. **IMPORTANT:** Do not slide the Running Board on the Brackets or damage to the finish may result. Attach the Running Board to the Front& Center& Rear Mounting Brackets with (4) M6 T-bolts,(4)M6 flat washers and (4) M6 nylon lock nuts, to Rear Support bracket with (6) M6 T-bolts,(6)M6 flat washers and (6)M6 nylon lock nuts **(Figure 14&15)**. Do not tighten hardware at this time
9. Level and adjust the Running Board properly and tighten all hardware.
10. Repeat **Steps 2—9** for passenger side installation.
11. Do periodic inspections to the installation to make sure that all hardware is secure and tight.

**To protect your investment**, wax this product after installing. Regular waxing is recommended to add a protective layer over the finish. Do not use any type of polish or wax that may contain abrasives that could damage the finish.

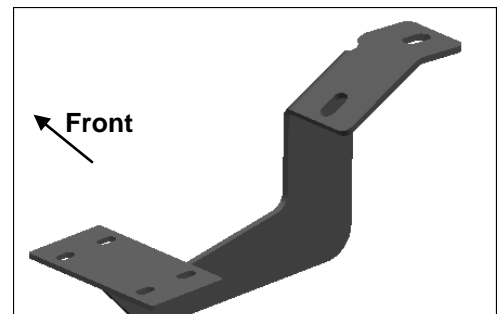
**For Polished Finishes:** Aluminum polish may be used to polish small scratches and scuffs on the finish. Mild soap may be used also to clean the Running Board.

**For black finishes:** Mild soap may be used to clean the Running Board.

### Driver Side Installation Pictured

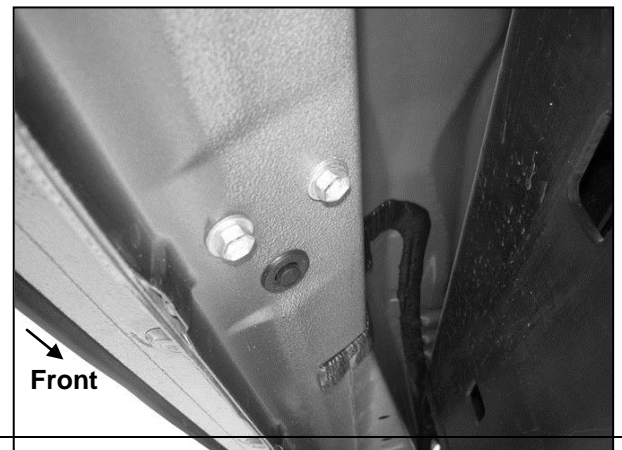
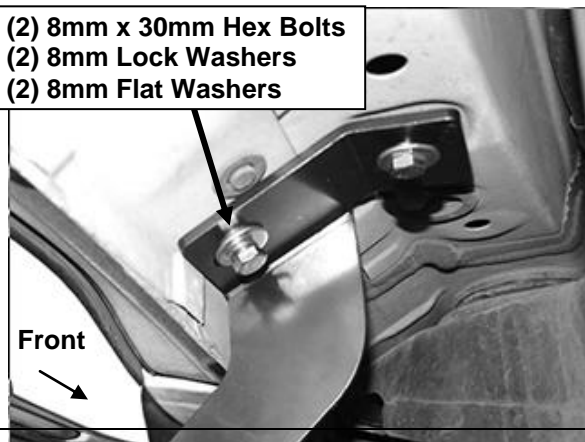


(Fig 1) Driver Front Mounting Location Pictured

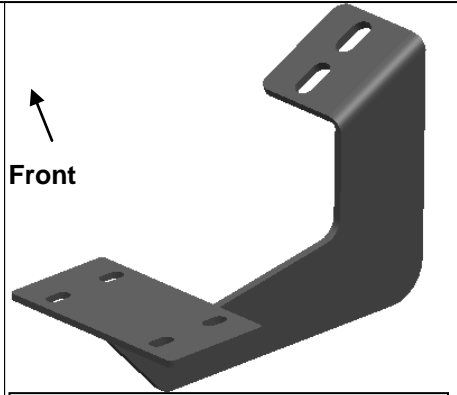


(Fig 2) Driver/Left Front Mounting Bracket

There are four sets of threaded holes in the side panel. Starting from the front of the vehicle, use the first, second, and fourth set of holes.



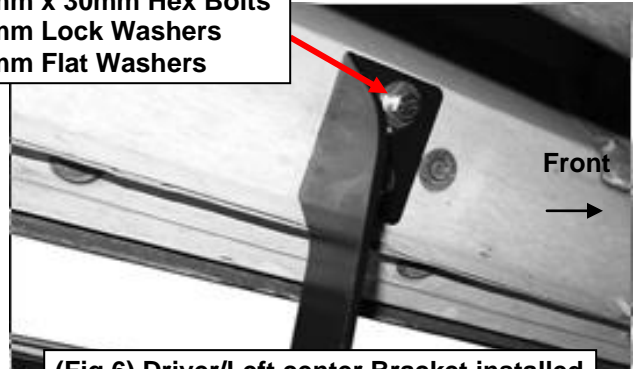
(Fig 3) Driver Front Mounting Location Pictured



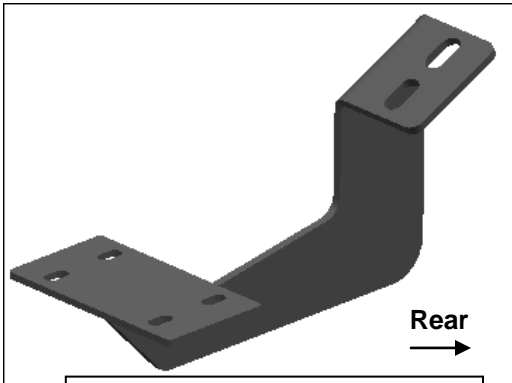
(Fig 5) Driver/Left center Bracket

(Fig 4) Driver/Left Center mounting location

- (2) 8mm x 30mm Hex Bolts
- (2) 8mm Lock Washers
- (2) 8mm Flat Washers



(Fig 6) Driver/Left center Bracket installed



(Fig 7) Driver/Left rear Bracket

- (2) 8mm x 30mm Hex Bolts
- (2) 8mm Lock Washers
- (2) 8mm Flat Washers



(Fig 8) Driver/Left Rear Bracket Pictured

There are four sets of threaded holes in the side panel. Starting from the front of the vehicle, use the first, second, and fourth set of holes.

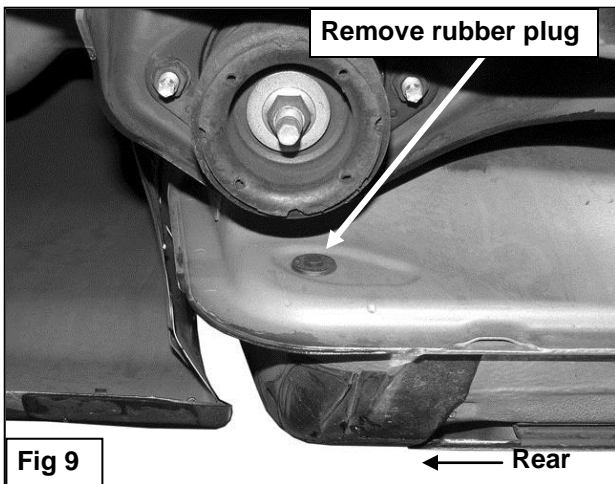


Fig 9

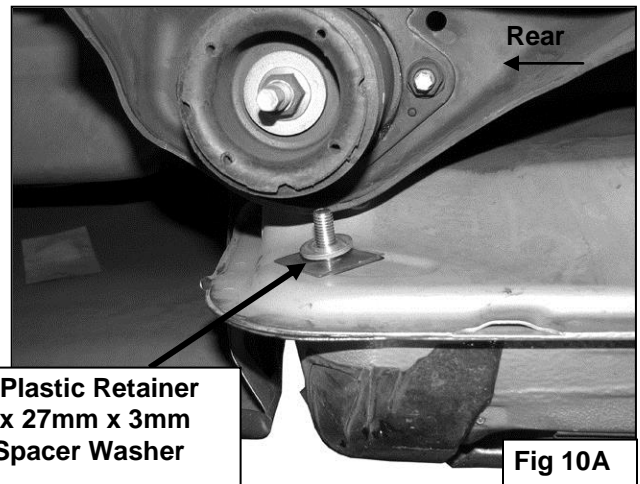
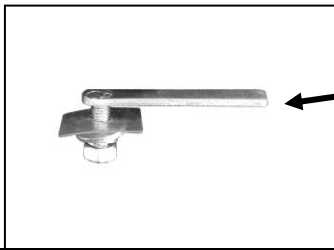


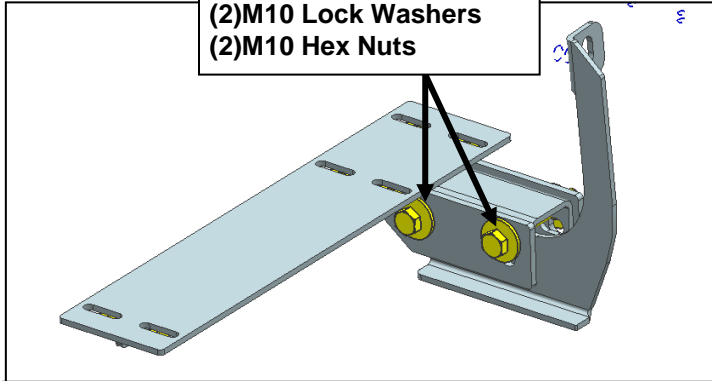
Fig 10A

- 10mm Plastic Retainer
- 10mm x 27mm x 3mm Thick Spacer Washer

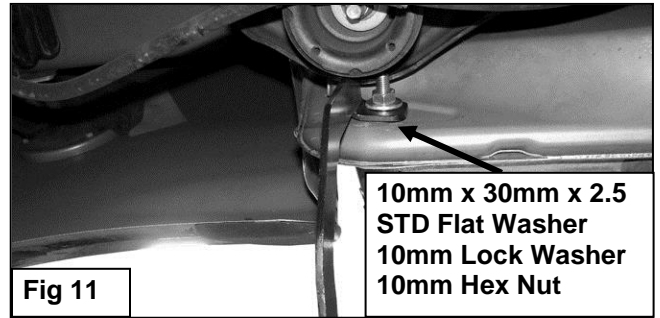


**Fig 10B**

- (2)M10x80mm Hex bolts
- (4)M10 Flat Washers
- (2)M10 Lock Washers
- (2)M10 Hex Nuts



**(Fig12) Driver rear- Lower Mounting Bracket assembly**



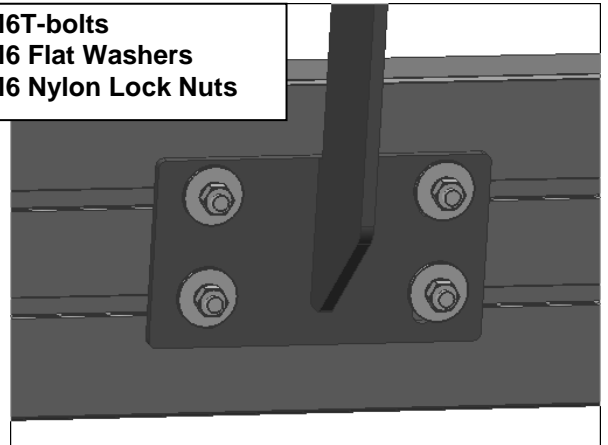
**Fig 11**

- 10mm x 30mm x 2.5  
STD Flat Washer
- 10mm Lock Washer
- 10mm Hex Nut



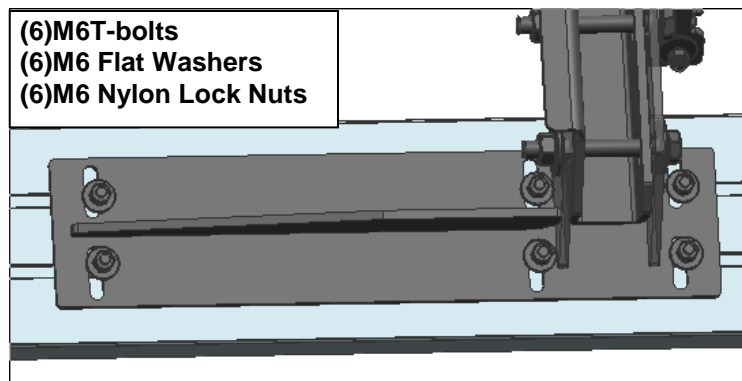
**(Fig 13) Slip 6mm T-bolts  
into the bottom channel**

- (4)M6T-bolts
- (4)M6 Flat Washers
- (4)M6 Nylon Lock Nuts



**(Fig 14) Drive side Bracket installation**

- (6)M6T-bolts
- (6)M6 Flat Washers
- (6)M6 Nylon Lock Nuts



**(Fig 15) Rear-Support Bracket Installation**