

EGR INSTALLATION INSTRUCTIONS

Tools Required



Clean Dry Cloth



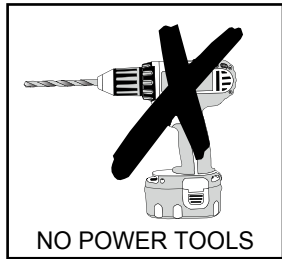
Soap & Water



Non-Permanent Marker



#2 Phillips Head Screwdriver



NO POWER TOOLS

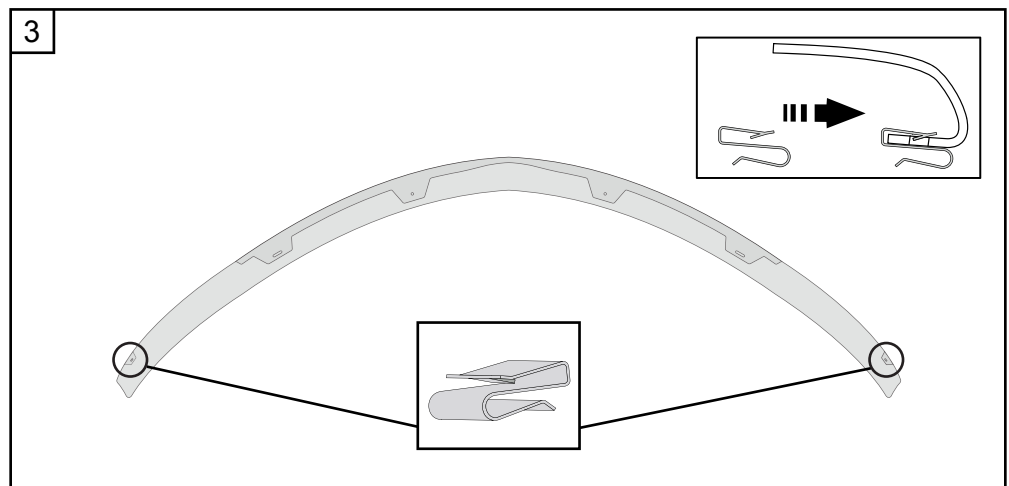
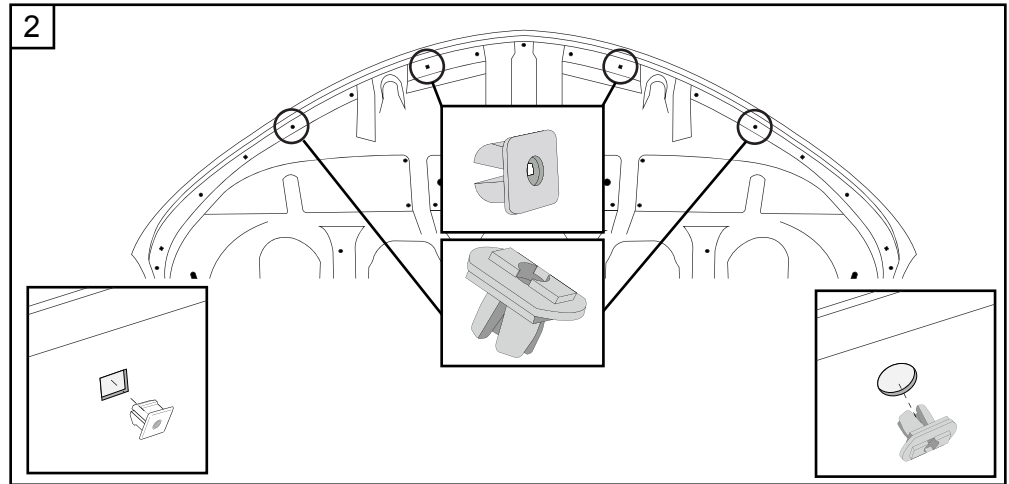
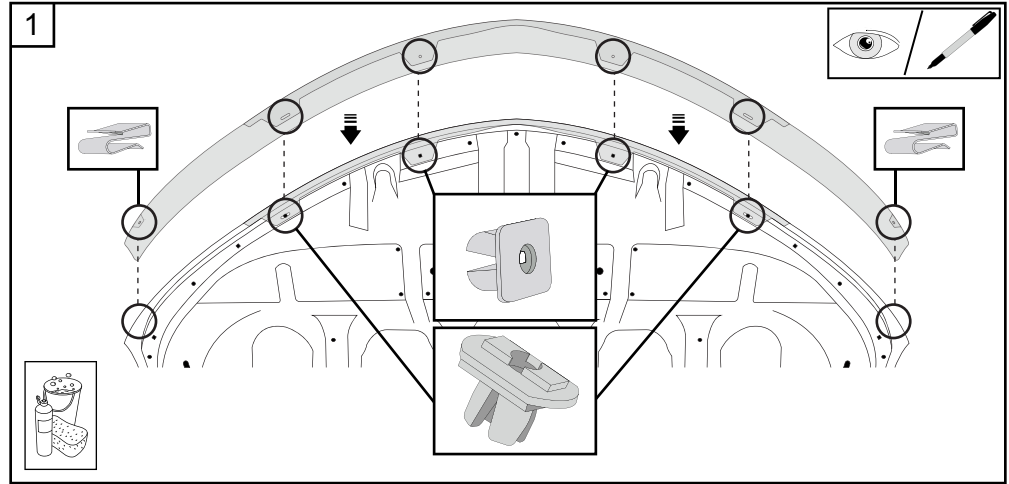
Cleaning Notes

- Spray with a firm water spray to remove any loose dirt.
- Wash with water, detergent and a soft cloth or sponge.
- Do not use petroleum based solvents or abrasives.

1. Wash the hood with a mild soap and water solution, then dry thoroughly. Open the hood. Trial fit the hood protector centrally onto the hood. With a non-permanent marker, note and mark the positions of the four acrylic tag slots in the hood protector onto hood where they correspond to the holes in the hood. Also note the two small acrylic tag slots on the hood protector wings and where they correspond to the hood. Remove hood protector.

2. Insert the four screw plugs provided into the four vacant holes.

3. Attach the two metal clips to the small acrylic tags of the Hood Protector wings.



EGR INSTALLATION INSTRUCTIONS

Tools Required



Clean Dry Cloth



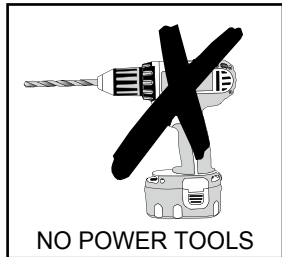
Soap & Water



Non-Permanent Marker



#2 Phillips Head Screwdriver



Cleaning Notes

- Spray with a firm water spray to remove any loose dirt.
- Wash with water, detergent and a soft cloth or sponge.
- Do not use petroleum based solvents or abrasives.

- 4• Install the hood protector onto the hood ensuring that the collar of the screw plugs locate into and parallel with the slots in the hood protector tags. While maintaining thumb pressure against the underside of the hood protector, insert the large screws through the large washers into the screw plugs. Do not fully tighten yet. Ensure the hood protector is centralised on hood then fully tighten screws.

Important: Thumb pressure must be maintained on the hood protector to prevent the screw plug from rotating. Do not overtighten screws.

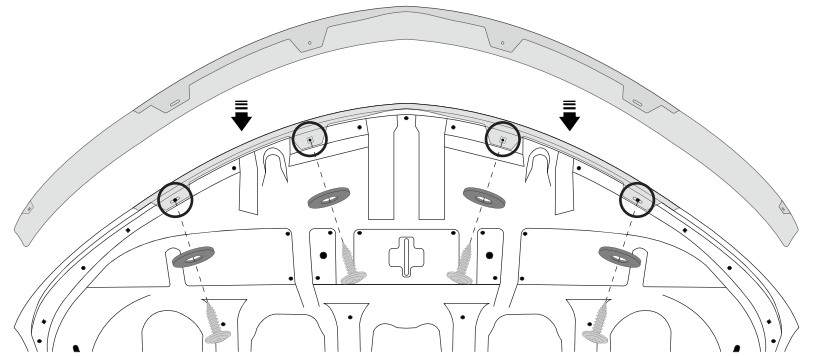
- 5• Clean the noted areas with alcohol prep pad provided. Wipe off any residue with a dry clean cloth. Adhere the abrasive resistant tape strips over the hood lip. Apply tape so approximately half of each strip is adhered to the topside and half is adhered to the underside of hood.

- 6• Slide the metal wing clips over the abrasive resistant tape strips on the hood edge at the two previously noted outer positions.

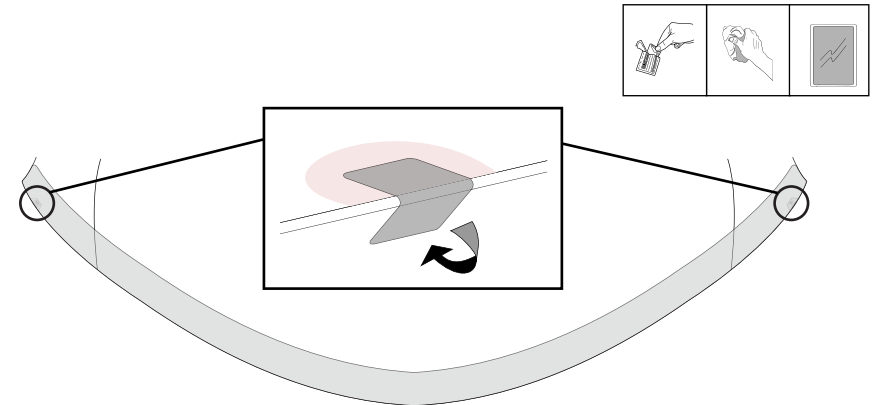
IMPORTANT: Ensure the clips rest over the abrasive resistant tape and do not come in contact with hood paint work. Failure to do this may result in permanent paint damage.

TO REMOVE: Reverse the above procedure.

4



5



6

