






EGR INSTALLATION INSTRUCTIONS

Tools Required



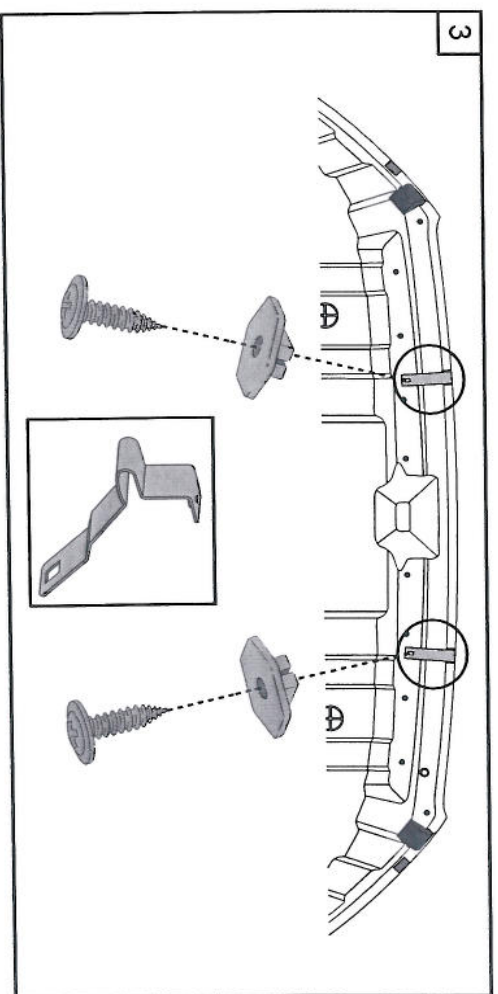
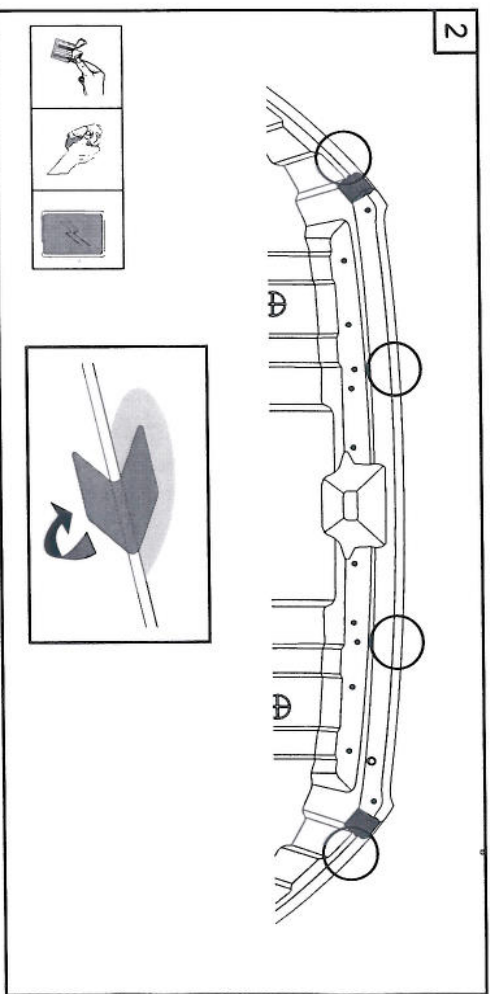
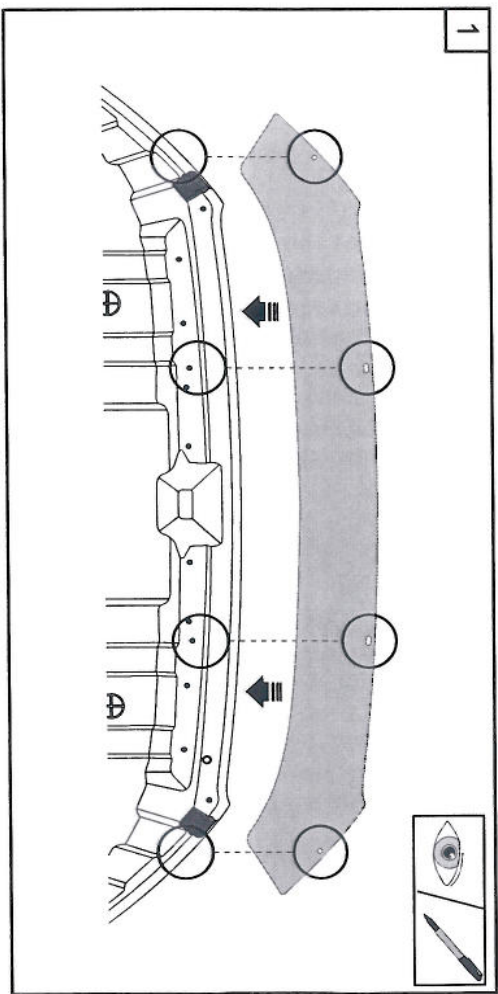
- Do not use power tools to install this product.
- No battery operated screw guns.
- The use of power tools during installation may void the product warranty.
- Do not overtighten.

1 Wash the hood with a mild soap and water solution, then dry thoroughly. Open the hood. Trial fit the Hood Protector centrally onto the hood. With a non-permanent marker, note and mark the holes on the underside of the hood that correspond with the two inner slots in the Hood Deflector. Also mark two outer hole positions in relation to the hood.
Remove the Hood Deflector.

2 Clean the four noted areas with the alcohol wipe provided. Wipe off any residue with a dry clean cloth. Adhere the abrasive resistant tape strips over the hood lip. Apply tape so approximately half of each strip is adhered to the top side and half is adhered to the underside of hood.

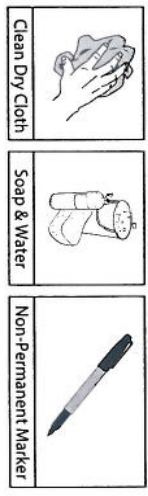
3 Position the fixed clips onto Hood and fit screw plugs through the clips into the holes in hood. Ensure the square boss on screw plugs sit in the square hole in clip. Secure with self tapping screws provided.

IMPORTANT: Ensure that the clips are positioned over abrasive resistant tape and do not come in contact with any of the hood's paint work. Failure to do this may result in permanent paint damage.



EGR INSTALLATION INSTRUCTIONS

Tools Required



- Do not use power tools to install this product.
- No battery operated screw guns.
- The use of power tools during installation may void the product warranty.
- Do not overtighten.

MADE IN USA

01-20-2014

4. Fit the Hood Protector centrally to hood and loosely secure to the two fixed clips with the small screws and washers provided. Check the Hood Protector is centered, then fully tighten the screws.

5. Push the metal wing clips onto hood locating the clips over the abrasive resistant tape strips on the hood lip, as shown.

IMPORTANT: Ensure that the clips are positioned over abrasive resistant tape and do not come in contact with any of the hood's paint work. Failure to do this may result in permanent paint damage.

6. Secure the Hood Protector to the two push-on clips with the small screws and washers provided. Fully tighten the screws.

To Clean:

- Use mild detergent and water solution
- Do not use solvents
- Avoid the use of automatic "Brush Style" car washes.
- When closing the hood, do not pull on Hood Protector.

