



SYSTEM #17325

1999-2002 CHEVROLET / GMC TRUCK
EXTENDED CAB, SHORT BED · NON HD ONLY
V8 ENGINE · 2500 W/VORTEC 6.0L

10/05/09

Removal:

- 1) Raise the vehicle up on a hoist or rack to working height. If you do not have access to a hoist or rack raise the vehicle and support securely with jack stands.
- 2) Using a tape measure, measure 3 1/4" forward from the muffler end cap and make a mark on both inlet pipes. Cut the inlet pipes on this mark. See the removal and installation diagram for a visual description of this step. Separate the two rubber hangers on the tailpipe from their rubber mounts on the vehicle then lower the muffler and tailpipe from under the vehicle and set aside.

Installation:

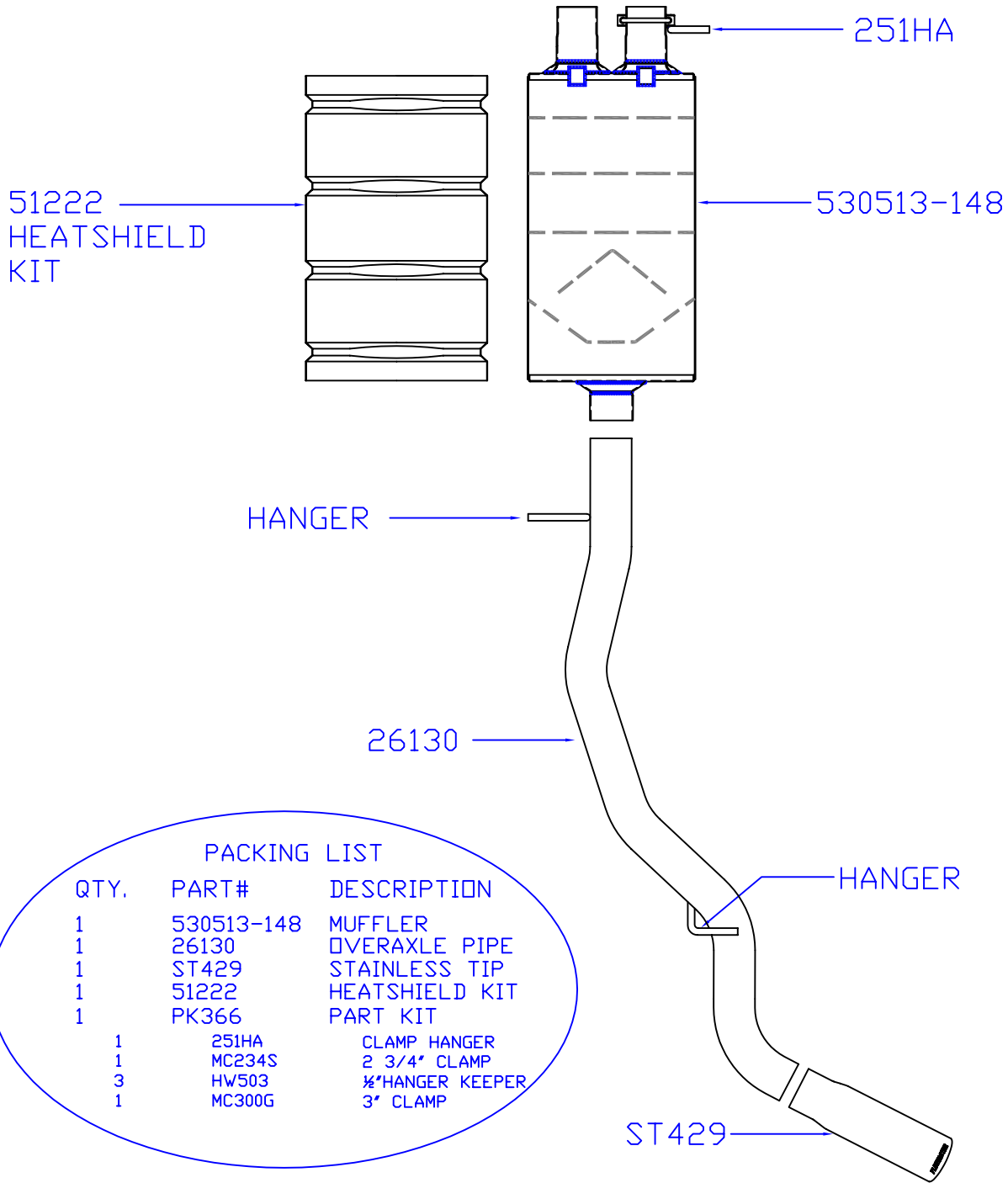
- 1) Before installing anything, prep the clamps supplied in the hardware kit by removing the nuts, and applying a thick lubricant such as white grease or anti-seize to the threads.
- 2) It may be necessary to debur the inlet pipes to allow smooth installation of the new muffler.
- 3) Slip muffler **#530513-148** onto the front pipes until the muffler inlets are completely seated on the inlet pipes. Use a stand to support the muffler. Place clamp hanger **#251HA** onto the right side inlet pipe and slide the hanger into the rubber mount on the vehicle.
- 4) Raise pipe **#26130** into position over the axle. First connect the hanger at the rear of the pipe with the rubber mount on the vehicle. Then, slide the tailpipe into the outlet of the muffler and connect the front hanger. Install the 3" clamp provided onto the muffler outlet and tighten enough to hold, but still allow for adjustment.
- 5) Take stainless tip **#ST429** and slide it over the end of the tailpipe. Adjust the rotation and length to your satisfaction and then tighten the clamp enough to hold, but still allow for adjustment.
- 6) Adjust the position of the muffler, pipes and tips to provide a satisfactory fit. Maintain a minimum of 3/4" clearance between the Flowmaster system, the drivetrain and chassis components, while also keeping suspension travel and vibration in mind. Tighten down all clamped connections securely. Tighten down all clamped connections securely.

7) Using the four band clamps provided, secure the heat shield to the top of the muffler body. Tighten down the clamps securely using an 8mm socket wrench or standard screwdriver. Place the supplied 1/2" hanger keepers onto the ends of the muffler and tailpipe hangers and slide them up to the rubber mounts to firmly hold the system in place.

8) For a cleaner appearance and more secure installation, we highly recommend welding all slip-fit connections. If you live in a geographical area that has harsh winters or sees a great deal of precipitation, the use of high temperature paint over the welded areas can help to prevent surface rust and premature corrosion.



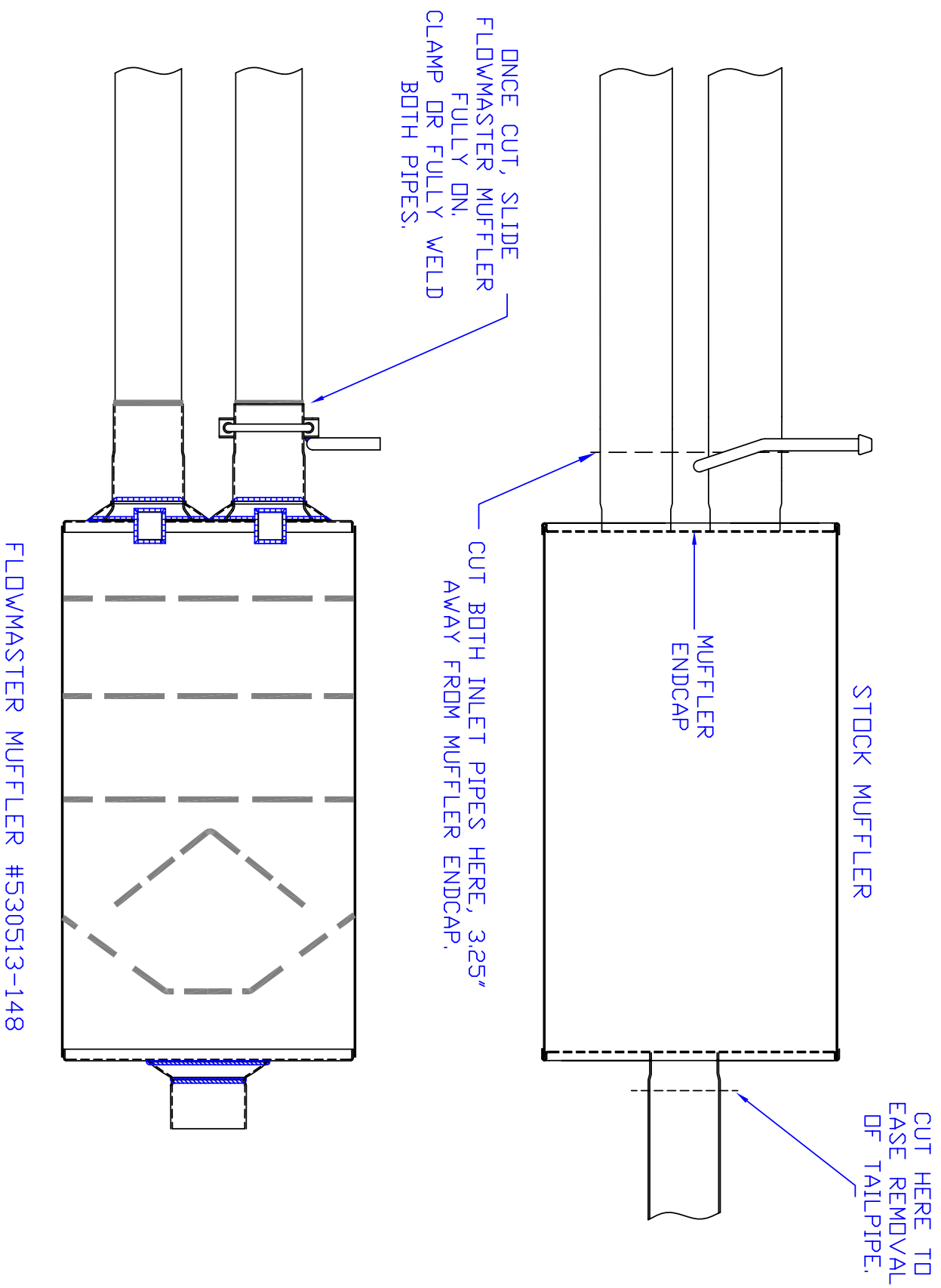
Installation diagram for:
SYSTEM #17325
1999-2002 CHEVROLET / GMC TRUCK
 EXTENDED CAB, SHORT BED · NON HD ONLY
 V8 ENGINE · 2500 W/VORTEC 6.0L



PACKING LIST

QTY.	PART#	DESCRIPTION
1	530513-148	MUFFLER
1	26130	OVERAXLE PIPE
1	ST429	STAINLESS TIP
1	51222	HEATSHIELD KIT
1	PK366	PART KIT
1	251HA	CLAMP HANGER
1	MC234S	2 3/4" CLAMP
3	HW503	1/2" HANGER KEEPER
1	MC300G	3" CLAMP

REMOVAL / INSTALLATION DIAGRAM FOR KIT #17325



FLOWMASTER MUFFLER #530513-148