

K&N TYPHOON INTAKE SYSTEMS

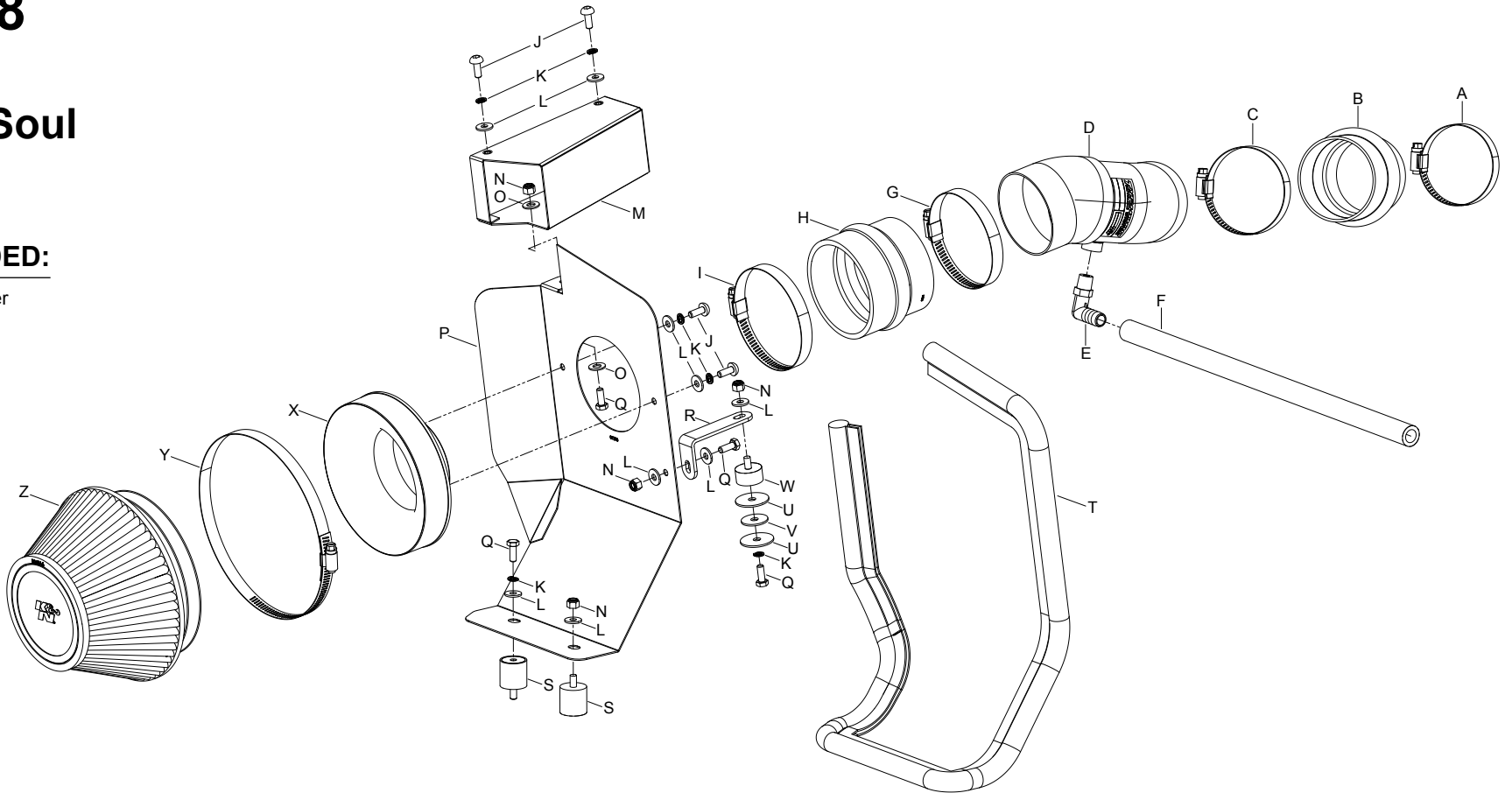


INSTALLATION INSTRUCTIONS

69-5308
KIA
2012-13 Soul
L4-2.0L

TOOLS NEEDED:

- Flat blade screw driver
- Ratchet
- Extension
- 10mm socket
- 10mm wrench
- 4mm Allen wrench
- Pliers
- Phillips screw driver



PARTS LIST:

Description	Qty.	Part #	Description	Qty.	Part #
A Hose Clamp #40	1	08554	N Nut; 6MM Nylock, Hexhead, SS	4	07512
B Hose; 3" to 2-3/4" X 3" L Hump Reinforced	1	08421	O Washer; 5/16"ID X 5/8"OD, Flat	2	08276
C Hose Clamp #44 Stainless	1	08560	P Heat Shield	1	07390
D Intake Tube	1	27576	Q Bolt; 6MM-1.00 X 16MM, SS	4	07812
E Vent; 90 Deg. 1/2" Hose, 1/4" NPT, Black, Plastic	1	08110FK	R Bracket; 57-2505, "L", FIN, TB/PC	1	07093
F Hose; 1/2"ID X 17"L	1	08177	S Stud; Rubber Mount, M6 X 1, 1" T, M/F	2	02033
G Hose Clamp #52	1	08610	T Edge Trim (46")	1	102487
H Hose, Hump 3.25/3.50 X 3.00	1	5-576	U Washer; 1.25D X .28 HOL ZN062 FIT	2	08151
I Hose Clamp # 56	1	08620	V Washer; 1" X .300 X .100 Rubber	1	21685
J Bolt; M6 X 1.00 X 16MM, Buttonhead,SS	4	07730	W Stud; Rubber MNT, M/F, 1/2"L X 1"W, M6 X 1.00	1	070228
K Washer; M6 Split Lock Zinc	6	1-3025	X Adapter; Universal, 6" Filter 3.5" Coupler	1	21512-1
L Washer; 6MM Flat, SS	9	08269	Y Hose Clamp # 104	1	08697
M Scoop; 69-5308, Mild Stl, Raw	1	07391-1	Z Air Filter	1	RU-4600

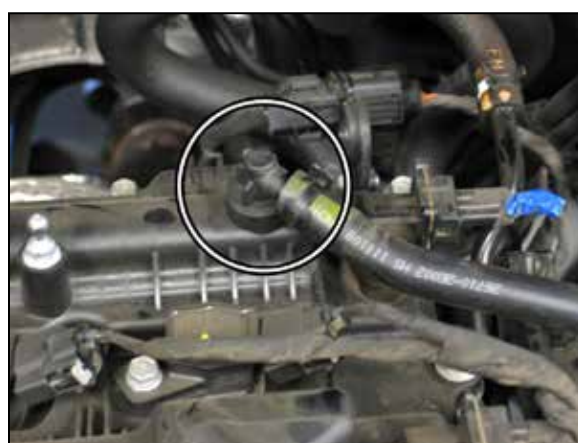
NOTE: FAILURE TO FOLLOW INSTALLATION INSTRUCTIONS AND NOT USING THE PROVIDED HARDWARE MAY DAMAGE THE INTAKE TUBE, THROTTLE BODY AND ENGINE.

TO START:

1. Turn off the ignition and disconnect the negative battery cable.
NOTE: Disconnecting the negative battery cable erases pre-programmed electronic memories. Write down all memory settings before disconnecting the negative battery cable. Some radios will require an anti-theft code to be entered after the battery is reconnected. The anti-theft code is typically supplied with your owner's manual. In the event your vehicles' anti-theft code cannot be recovered, contact an authorized dealership to obtain your vehicles anti-theft code.



2. Pull up the engine cover and remove it from the engine.



3. Release the spring clamp securing the crank case vent hose to the valve cover port and then disconnect the crank case vent hose from the valve cover.



4. Remove the two plastic screws securing the fresh air intake scoop and then remove the clips.



5. Lift up the fresh air scoop and remove it from the vehicle.



6. Loosen the hose clamp securing the intake tube to the throttle body.



7. Unlatch the two upper air box retaining clips.



8. Remove the upper air box from the vehicle.
NOTE: K&N Engineering, Inc., recommends that customers do not discard factory air intake.



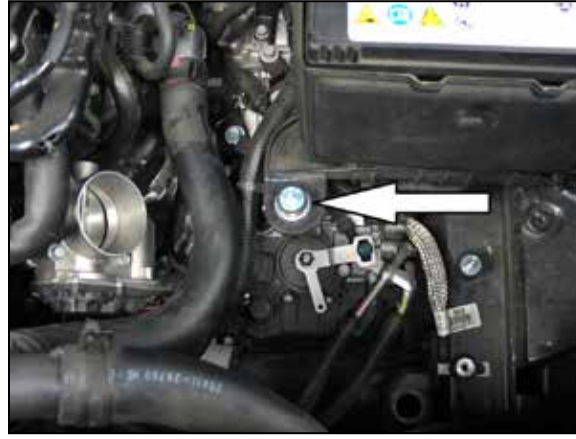
9. Remove the two bolts securing the lower air box to the vehicle and then remove the lower air box from the vehicle.



10. Remove the air box mounting grommet shown, and then remove the inner most ground strap bolt shown.



11. Install the two 1" rubber mounted studs as shown. One will screw into the threaded hole vacated by the ground strap bolt in step #10 and the other will thread onto the unoccupied stud on the frame rail.



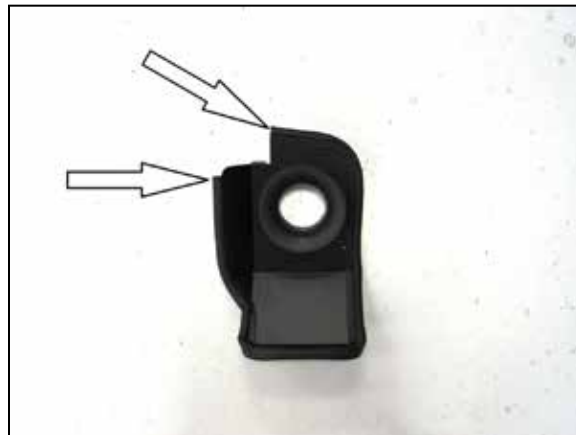
12. Install the 1/2" rubber mounted stud onto the air box mounting grommet location using the provided fender washers on both sides of the mounting bracket.



13. Install the provided hump hose (08421) onto the throttle body and secure with the provided hose clamp.



14. Install the filter adapter into the heat shield as shown and secure with the provided hardware.



15. Install the provided edge trim onto the heat shield as shown.
NOTE: Some trimming of the edge trim will be necessary.



16. Install the provided "L" bracket (07093) onto the heat shield as shown using the provided hardware.



17. Install the heat shield onto the rubber mounted studs and secure with the provided hardware.



18. Install the provided 90° vent fitting into the K&N intake tube as shown.



19. Install the provided hump hose (5-576) onto the filter adapter and secure with the provided hose clamp. Then install the K&N® intake tube and secure with the provided hose clamps.



20. Install the provided crank case vent hose onto the 90° vent fitting and valve cover port as shown.



21. Install the K&N® fresh air intake scoop and secure to the heat shield and core support with the provided hardware.



22. Install the K&N® air filter and secure with the provided hose clamp.

NOTE: Precharger® air filter wrap; part # 22-8036PK is available to purchase separately. To learn more about Precharger® filter wraps or look up color availability please visit <http://www.knfilters.com>®.



23. Reinstall the engine cover.



24. Reconnect the vehicle's negative battery cable. Double check to make sure everything is tight and properly positioned before starting the vehicle.

25. It will be necessary for all K&N® high flow intake systems to be checked periodically for realignment, clearance and tightening of all connections. Failure to follow the above instructions or proper maintenance may void warranty.

ROAD TESTING:

1. Start the engine with the transmission in neutral or park, and the parking brake engaged. Listen for air leaks or odd noises. For air leaks secure hoses and connections. For odd noises, find cause and repair before proceeding. This kit will function identically to the factory system except for being louder and much more responsive.

2. Test drive the vehicle. Listen for odd noises or rattles and fix as necessary.

3. If road test is fine, you can now enjoy the added power and performance from your kit.

4. K&N Engineering, Inc., requires cleaning the intake system's air filter element every 100,000 miles. When used in dusty or off-road environments, our filters will require cleaning more often. We recommend that you visually inspect your filter once every 25,000 miles to determine if the screen is still visible. When the screen is no longer visible some place on the filter element, it is time to clean it. To clean and re-oil, purchase our filter Recharger® service kit, part number 99-5050 or 99-5000 and follow the easy instructions.

STREET LEGAL IN MOST STATES

**NOT LEGAL FOR USE IN CA & OTHER STATES
ADOPTING CA EMISSIONS STANDARDS**

See our catalog or knfilters.com for CARB status on each part for a specific vehicle

* FREE K&N® decal To register your warranty, please see us online at knfilters.com/register. FREE K&N® decal *

• 1455 CITRUS ST., P.O. BOX 1329, RIVERSIDE, CA., U.S.A. 92502 • TECH SERVICE 800-858-3333 • FAX 951-826-4001
• e-mail: tech@knfilters.com • WWW: <http://www.knfilters.com>

19607A
5/9/13