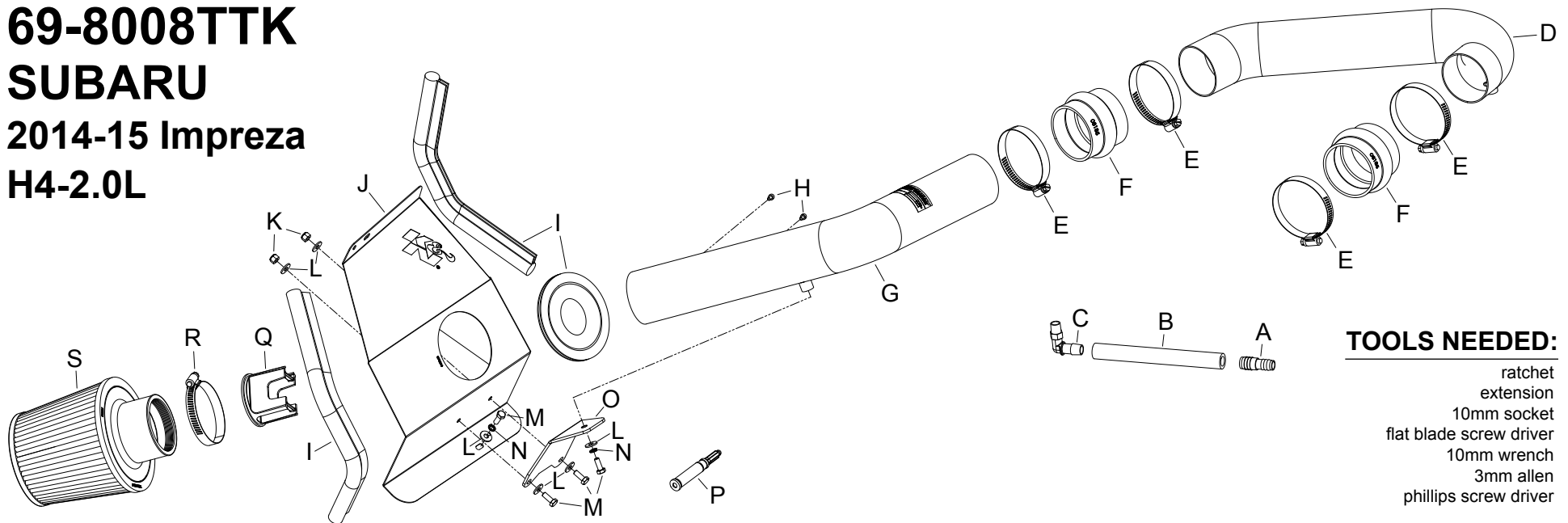


INSTALLATION INSTRUCTIONS

69-8008TTK SUBARU 2014-15 Impreza H4-2.0L



PARTS LIST:

Description	Qty.	Part #	Description	Qty.	Part #	Description	Qty.	Part #
A HOSE MENDER; 1/2" TO 5/8"	1	08726	H BOLT; M4 - 0.07 8MM, A/H CAP	2	07733	O BRACKET; FLAT, 69-8008, MILD	1	064336
B HOSE; 1/2"ID X 7"L	1	08159	I EDGE TRIM (39")	1	102496	P SUPER GLUE, 3G DRIP PROOF	1	409
C VENT; 90DEG, 1/2"HOSE, 1/4"	1	08110FK	J HEAT SHIELD	1	073210	Q MAF INSERT; AIR STRTRNR, 2.59	1	9-21070
D TUBE; 2.75"OD X 22"L, AL, TB	1	27638TK	K NUT; 6MM NYLOCK, HEXHEAD	2	07512	R HOSE CLAMP #44	1	08577
E HOSE CLAMP #44 STAINLESS	4	08560	L WASHER; 6MM FLAT, SS	6	08269	S AIR FILTER	1	RU-4960
F HOSE; 2-3/4" ID X 2-1/2" L	2	08185	M BOLT; 6MM-1.00 X 16MM, SS	4	07812			
G TUBE; 2.75"OD X 21"L, AL, TB	1	27637TK	N WASHER, M6 SPLIT LOCK ZINC	2	1-3025			

If you need any assistance please call 1-800-858-3333 to speak with a representative in our Customer Service Center before returning the product.

NOTE: FAILURE TO FOLLOW INSTALLATION INSTRUCTIONS AND NOT USING THE PROVIDED HARDWARE MAY DAMAGE THE INTAKE TUBE, THROTTLE BODY AND ENGINE.

WARNING: Please follow these installation instructions carefully. The K&N® cold air intake system is a performance product that can be used safely during mild weather conditions. During harsh and inclement weather conditions, you must convert your cold air intake system to a short ram configuration, or return your vehicle to the stock OEM airbox and intake tract configuration. Failure to follow these instructions can void your warranty.

TO START:

1. Turn off the ignition and disconnect the negative battery cable.

NOTE: Disconnecting the negative battery cable erases pre-programmed electronic memories. Write down all memory settings before disconnecting the negative battery cable. Some radios will require an anti-theft code to be entered after the battery is reconnected. The anti-theft code is typically supplied with your owner's manual. In the event your vehicles anti-theft code cannot be recovered, contact an authorized dealership to obtain your vehicles anti-theft code.



2. Release the spring clamp securing the crank case vent hose to the intake plenum and then disconnect the hose from the plenum.



3. Remove the plastic clip which secures the intake plenum to the intake manifold.



4. Loosen the hose clamp securing the intake tube to the throttle body.



5. Loosen the hose clamp securing the intake tube to the air filter housing and then remove the intake tube from the vehicle.



6. Remove the two plastic clips securing the intake scoop to the core support and then remove the intake scoop from the vehicle.



7. Disconnect the mass air sensor electrical connection.

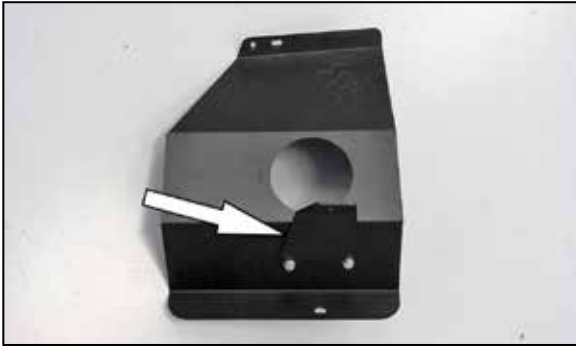


8. Remove the bolt and nut that secure the air filter housing into the vehicle and then remove the air filter housing from the vehicle.

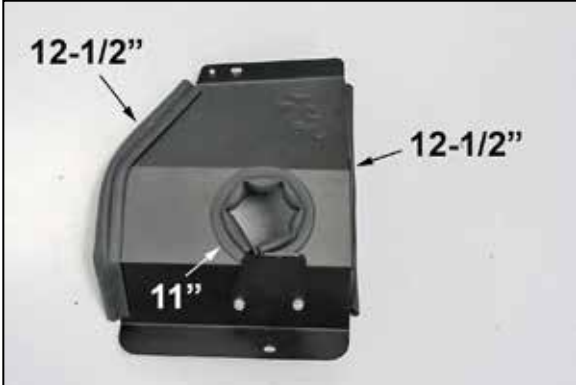
NOTE: K&N Engineering, Inc., recommends that customers do not discard factory air intake.



9. Remove the two nuts that secure the air filter housing bracket onto the inner fender. **NOTE: These nuts will be reused in a later step.**



10. Install the tube mounting bracket (064326) onto the heat shield as shown.



11. Cut the provided edge trim into three sections, two sections should be 12-1/2" long and one section should be 11" long. Install the edge trim onto the heat shield as shown.



12. Remove the two screws securing the mass air sensor to the factory air filter housing and then remove the sensor from the housing.



13. Install the mass air sensor into the K&N® intake tube and secure with the provided hardware.



14. Place four drops of the provided super glue onto the lip of the provided air grid and then install the air grid into the K&N® intake tube as shown.



15. Pass the intake tube assembly through the heat shield and secure it to the bracket with the provided hardware.



16. Install the K&N® air filter onto the intake tube and secure with the provided hose clamp.
NOTE: Drycharger® air filter wrap; part # RX-4990DK is available to purchase separately. To learn more about Drycharger® filter wraps or look up color availability please visit <http://www.knfilters.com>®.



17. Install the intake tube/heat shield assembly into the engine compartment as shown and secure with the provided hardware and factory nuts from step 8.
NOTE: Install the heat shield onto the factory studs first and then align the bottom hole for the bolt.



18. Install one of the provided coupler hoses onto the throttle body and secure with the provided hose clamp.



19. Install the 90° NPT vent fitting into the K&N® intake tube as shown.
NOTE: Plastic NPT fittings are easy to cross thread. Install the vent fitting "hand" tight, then turn it two complete turns with a wrench.



21. Install the remaining coupling hose onto the intake tube and install the intake tube into the hoses and adjust the tubes for best fit. Then secure the provided hose clamps.



22. Install the provided hose mender into the provided crank case vent hose as shown.



23. Install the open end of the hose mender into the factory crank case vent hose and then connect the hose to the fitting installed into the K&N® intake tube.



24. Reconnect the vehicle's negative battery cable. Double check to make sure everything is tight and properly positioned before starting the vehicle.

25. It will be necessary for all K&N® high flow intake systems to be checked periodically for realignment, clearance and tightening of all connections. Failure to follow the above instructions or proper maintenance may void warranty.

ROAD TESTING:

1. Start the engine with the transmission in neutral or park, and the parking brake engaged. Listen for air leaks or odd noises. For air leaks secure hoses and connections. For odd noises, find cause and repair before proceeding. This kit will function identically to the factory system except for being louder and much more responsive.

2. Test drive the vehicle. Listen for odd noises or rattles and fix as necessary.

3. If road test is fine, you can now enjoy the added power and performance from your kit.

4. K&N Engineering, Inc., requires cleaning the intake system's air filter element every 100,000 miles. When used in dusty or off-road environments, our filters will require cleaning more often. We recommend that you visually inspect your filter once every 25,000 miles to determine if the screen is still visible. When the screen is no longer visible some place on the filter element, it is time to clean it. To clean and re-oil, purchase our filter Recharger® service kit, part number 99-5050 or 99-5000 and follow the easy instructions.

LEGAL IN CALIFORNIA ONLY FOR RACING VEHICLES WHICH MAY NEVER BE USED, REGISTERED OR LICENSED FOR USE UPON A HIGHWAY.

See knfilters.com for CARB status on each part for a specific vehicle