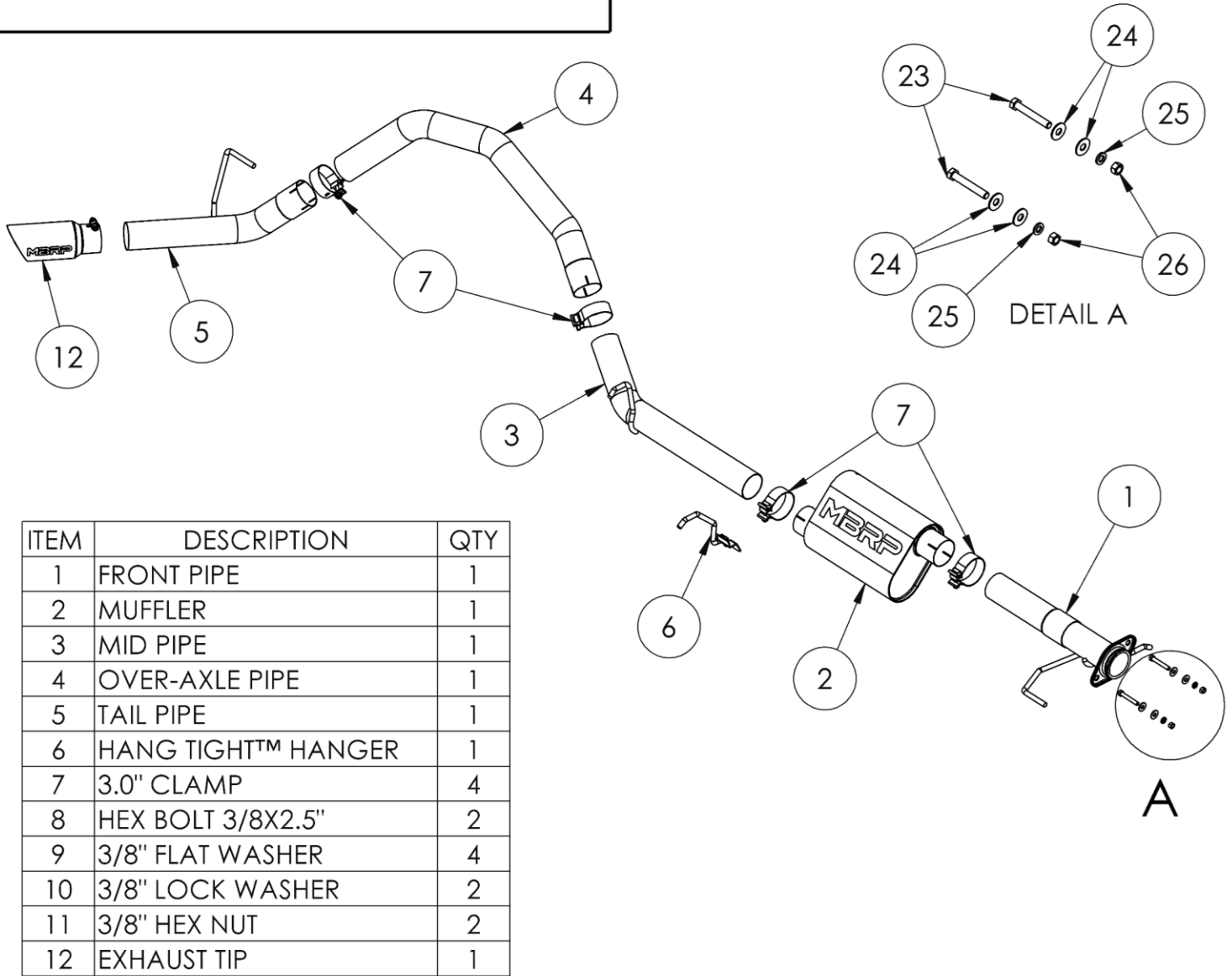


S5231

2018-2021 FORD EXPEDITION,
3.5L ECOBOOST, CAT-BACK, 3.0" SINGLE
SIDE

MBRP®



ITEM	DESCRIPTION	QTY
1	FRONT PIPE	1
2	MUFFLER	1
3	MID PIPE	1
4	OVER-AXLE PIPE	1
5	TAIL PIPE	1
6	HANG TIGHT™ HANGER	1
7	3.0" CLAMP	4
8	HEX BOLT 3/8X2.5"	2
9	3/8" FLAT WASHER	4
10	3/8" LOCK WASHER	2
11	3/8" HEX NUT	2
12	EXHAUST TIP	1

PLEASE READ BEFORE STARTING INSTALLATION

While MBRP has made every effort to ensure that all components of this system are of superior quality and properly packaged, it is the installer's responsibility to ensure the following before removal of the factory exhaust:

- that ALL components shown above are present.
- that ALL mating components fit together.
- that there are no damaged components.
- that the system you have purchased is appropriate for your vehicle year, model and configuration.
- that the system will not interfere with any modifications previously installed or planned.
- that you have read and understand these instructions.

If you have any questions or are uncertain about any aspect of the installation of this system to your vehicle please contact your dealer before commencing installation.

MBRP

Removal of Stock System

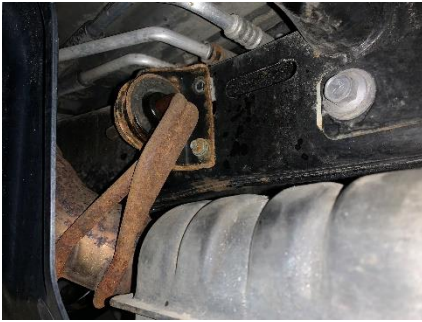


Figure 1

1. Apply a penetrating lubricant liberally to all hangers and rubber isolators.
2. Loosen the factory tail pipe isolator from the frame.
Refer to Figure 1.

3. Loosen the factory tail pipe clamp and release the tab located above the clamp. Remove the tail pipe.
Refer to Figure 2.



Figure 2

4. Remove the 4 nuts holding the sway bar to the frame.
5. Unbolt the front flange and the front hanger isolator.
Refer to Figure 3.

6. Remove the exhaust down and towards the front of the vehicle.
Note: if a hoist is not available it may be required to cut the exhaust directly above the rear axle.

Installation of MBRP Performance Exhaust:

1. Reattach the front hanger isolator and slide the **Front Pipe** hangers into the factory hanger isolators. Attach the front flange with the supplied hardware.
Refer to Figure 4.

2. Slide a **3.0" Clamp** onto the **Muffler** and loosely attach to the **Front Pipe**.

3. For Max models (131.6 WB) skip to step 5.

4. Trim the **Mid Pipe**. Standard wheelbase models will require shortening. Cut the pipe and skip to step 6.
Refer to Figure 5.



Figure 3

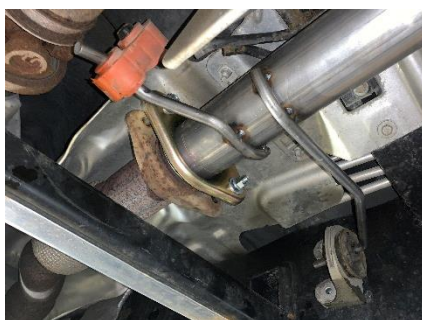


Figure 4

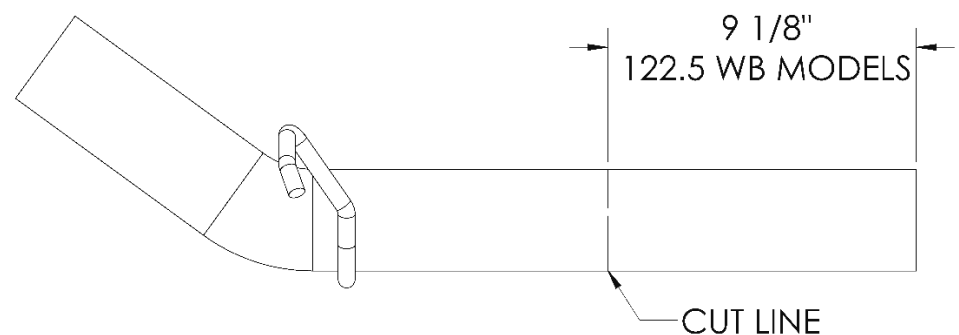


Figure 5

MBRP

5. Install the **Hang Tight™ Hanger** onto a **3.0" Clamp** using the procedure shown in **Figure 6**. (Hang Tight Hanger not exactly as shown).



Figure 7

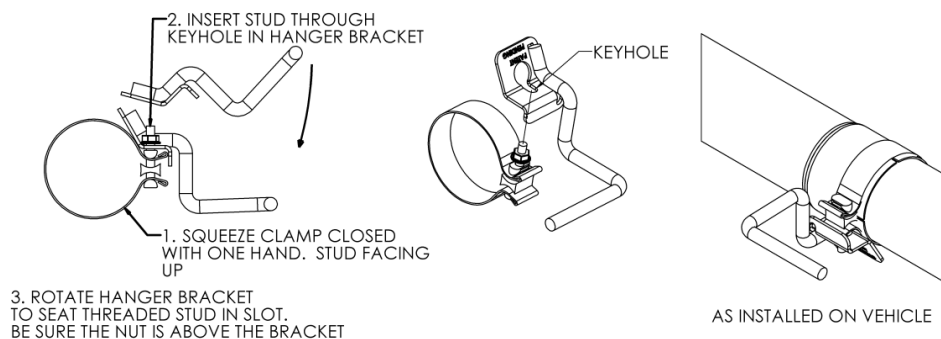


Figure 6



Figure 8

6. Place a **3.0" Clamp** (long wheelbase models will have a **Hang Tight™ Hanger**) over the **Muffler** outlet and insert the **Mid Pipe** and hangers into the factory isolators, loosely attach. (Note **Muffler** orientation, Max model shown)

Refer to Figure 7.

7. Install a **3.0" Clamp** onto the expanded end of the **Over-Axle Pipe** and loosely attach onto the **Mid Pipe** from the rear of the vehicle.

8. Slide the factory tail pipe isolator onto the **Tail Pipe** hanger.

Refer to Figure 8.

9. Install a **3.0" Clamp** onto the **Tail Pipe** and install onto the **Over-Axle Pipe**. Tighten the Factory isolator.

Refer to Figure 8.

10. Install the **Exhaust Tip** and adjust to your liking.

Refer to Figure 9.



Figure 9

11. Carefully align the system and tips. Align the edge of each band clamp with the edge of the joint it is connecting. Tighten all hardware and clamps, starting at the front and working rearward to secure the system. Check along the full length of the exhaust system to ensure there is adequate clearance for fuel lines, vent lines, brake lines, frame, bodywork, suspension and any wiring, etc. If there is any interference detected, relocate or adjust to provide adequate clearance. Ensure all clamp connections are secure and components are unable to rotate or slide. Band clamps require approximately 45 lb-ft (60 N-m) of torque. Verify clearances, system security and band clamp torque after 30-60 miles (50-100 km) of driving.

Congratulations! You are ready to begin experiencing the improved power, sound and driving experience of your **MBRP** performance exhaust system. We know you will enjoy your purchase.